

**1/10TH BRUSHLESS ELECTRIC  
4WD RALLY CAR**

# MK2RS



**SET-UP INSTRUCTIONS &  
EXPLODED DRAWINGS AND COMPONENT LISTING**

ENGLISH INSTRUCTIONS – PAGE 2  
FRANÇAIS INSTRUCTIONS – PAGE 16



[www.ftx-rc.com](http://www.ftx-rc.com)





# FTX Mk2RS Escort 1/10th On Road Brushless Rally Drift Car

**Congratulations on your purchase of the  
FTX MK2RS Brushless Rally Car.**

This 1/10th scale model has been factory assembled and all electrics installed and set up to make it the easiest possible introduction to the sport of driving RC cars.

**WARNING:** Read the ENTIRE instruction manual to become familiar with the features of the product before operating.

Failure to operate the product correctly can result in damage to the product, personal property and cause serious injury.

This is NOT a toy and must be operated with caution and common sense.

Failure to operate this product in a safe and responsible manner could result in damage, injury or damage to other property.

This product is not intended for use by children without direct adult supervision. It is essential to read and follow all the instructions and warnings in the manual, prior to assembly, set-up or use, in order to operate correctly and avoid damage or serious injury.



## Safety Precautions and Warnings

- You are responsible for operating this model such that it does not endanger yourself and others, or result in damage to the product or the property of others.
- This model is controlled by a radio which is possibly subject to interference which can cause momentary loss of control so it is advisable to always keep a safe distance to avoid collisions or injury.
- Age Recommendation: 14 years or over. This is not a toy. This product is not intended for use by children without direct adult supervision.

**Carefully follow these directions and warnings, plus those of any additional equipment associated with the use of this model, chargers, ESC and motors, radio etc.**

- Never operate your model with low transmitter batteries.
- Always operate your model in an open area away from cars, traffic or people.
- Never operate the model in the street or in populated areas.
- Always keep the vehicle in direct line of sight, you cannot control what you cannot see!
- Keep all chemicals, small parts and anything electrical out of the reach of children.
- Although splash-proof the car and electronics are not designed to be subjected to extended moisture exposure or submersion. To do so will result in permanent damage.
- Avoid injury from high speed rotating parts, gears and axles etc.
- Novices should seek advice from more experienced people to operate the model correctly and meet its performance potential.
- Exercise caution when using tools and sharp instruments.
- Do not put fingers or any objects inside rotating and moving parts.
- Take care when carrying out repairs or maintenance as some parts may be sharp.
- Do NOT touch equipment such as the motor, electronic speed control and battery, immediately after using your model because they can generate high temperatures.
- Always turn on your transmitter before you turn on the receiver in the car. Always turn off the receiver before turning your transmitter off.
- Keep the wheels of the model off the ground, and keep your hands away from the wheels when checking the operation of the radio equipment.
- Prolong motor life by preventing overheat conditions. Undue motor wear can result from frequent turns, rapid change of direction forwards/backwards, continuous stop/starts, pushing/pulling objects, driving in deep sand and tall grass, or driving continuously up hill.

## Contents:

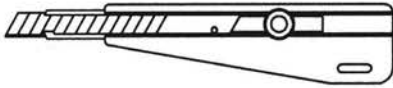
- FTX MK2RS Brushless Rally Car
- Transmitter – 2.4ghz Steerwheel



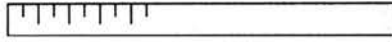


## REQUIRED EQUIPMENT FOR OPERATION

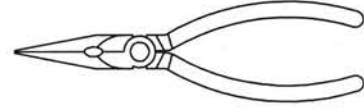
### 1. Tools required for building and maintenance:



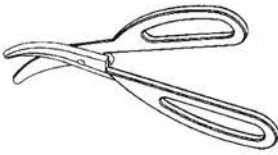
● Hobby knife



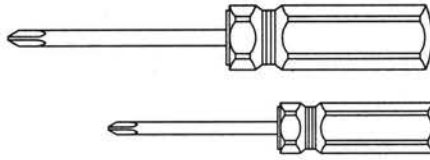
● Precision ruler



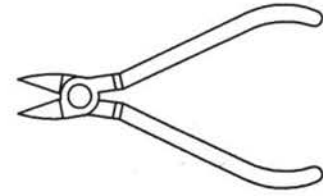
● Needle nose pliers



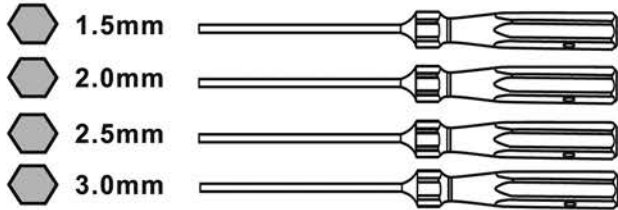
● Lexan scissors



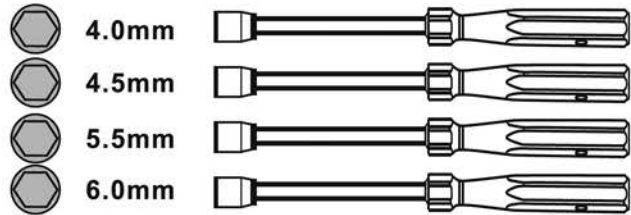
● Flat and Philips screwdriver



● Wire cutters



Hex. Screwdrivers

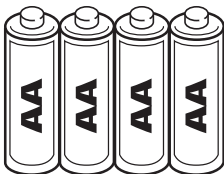


Socket Head Drivers

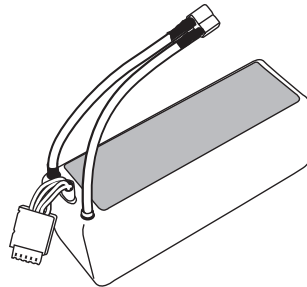
## WARNING!

Do not use a power screw driver to install screws into nylon or plastic materials. The fast locking may heat up the screws being installed that may break the molded parts or strip the threads during installation.

### 2. Additional items needed for operation:



● 4 pcs AA Alkaline Batteries



● Shorty size 2S or 3S LiPo battery



● LiPo Charger

## IMPORTANT!

**Check that all screws and nuts are tight before each use.**



## CHARGING/INSTALLING THE BATTERY NOTE: BATTERY & CHARGER NOT INCLUDED

**IMPORTANT! ALWAYS CHARGE IN A LIPO SACK OR TIN AWAY FROM FLAMMABLE MATERIALS (SUCH AS CARPET). ALWAYS MONITOR CHARGE STATUS INCASE YOU NEED TO STOP WITH IMMEDIATE EFFECT AND ALWAYS STORE YOUR MODEL WITH THE BATTERY UNPLUGGED AND REMOVED.**

The included 900mAh mains LiPo balance charger will take up to 4 hours to re-charge the LiPo battery depending on how discharged it is. Before you start charging ensure that your LiPo battery is put inside the Voltz Vault safety LiPo sack.

(Lipo batteries can be dangerous and must be handled with care. Before commencing with charging ensure you familiarise yourself with our safety guidelines within the manual and on the base of the battery. Failure to do so could result in injury or damage. Lipo batteries require completely different charging and care than NiCd and NiMH batteries and must be used with a LiPo specific charger. Misuse can result in fire, personal injury and/or damage to property. The user assumes all liability and risk associated with the use of Lithium-Polymer (Li-Po) batteries. Immediately return the battery, unused, if you do not agree with these terms).

### **WARNING! NEVER LEAVE THE BATTERY UNATTENDED WHILE ON CHARGE.**

- The supplied charger can charge either 2s or 3s (cell number) LiPo batteries. The supplied battery is a 3s. Ensure you plug it into the correct 3s balance port.
- When the charger is connected to the mains power the power LED will turn green. Once you connect your balance connector to the charger the status LED is RED, and power is GREEN indicating that charging is in progress. Once the battery is fully charged the two LED's will turn green. If you experience the LED's blinking red then there is an error with either the battery or charger. When charging a completely discharged battery, the charger can become hot to touch.
- Always disconnect the charger from the mains supply and the battery pack when not in use.
- To install a charged battery into the



vehicle, remove the body clips and remove the bodyshell. Loosen the velcro straps, insert battery and then tighten the straps so that they securely hold the battery inside the battery box. Make sure the model is switched off before connecting the male and female connectors.

- Always store your model with the battery pack unplugged and removed. Always charge your battery away from the vehicle.

### **Notes on Battery use:**

- Always allow the battery cool after use, before recharging.
- Always inspect the battery before charging.
- Any bare wires, split heat shrink or leakage is a sure sign of abuse.
- Never attempt to charge dead or damaged batteries.
- Do not disassemble the battery or cut the connector wires.
- If the battery connector, battery case or cable insulation get hot enough to melt or split there is most likely a serious problem with your model, driveline, battery wires or speed controller. Find and correct the problem before installing another charged battery pack. (please refer to our detailed LiPo handling notes below).

### **LIPO BATTERY - USER SAFETY AND HANDLING INSTRUCTIONS.**

- Read all safety instructions before charging or using your batteries for the first time.
- Lipo batteries require completely different charging and care than NiCd and NiMH batteries.
- Misuse can result in fire, personal injury and/or damage to property. The buyer assumes all liability and risk associated with the use of Lithium-Polymer (Li-Po) batteries. Immediately return the battery, unused, if you do not agree with these terms.

### **General guidelines and warnings:**

1. Use a Lithium Polymer specific chargers only! Do not use a NiCd or NiMH charger.
2. NEVER charge unattended. Always charge in safety sack or metal tin with lid and away from other flammable materials.
3. During the charge process watch for swollen or ballooning cells. If this happens immediately disconnect the charger and move the battery to a fire proof place for 15 minutes. Do not attempt to charge again.
4. A short circuit can cause a rapid discharge of high currents. Avoid short circuits, and be aware of short circuits on jewellery.
5. Any Lithium Polymer battery involved in a crash should be removed and observed in a fireproof space for 15 minutes before continuing to use or charge the battery.
6. If rewiring the battery pack, rewire the leads one at a time. Do not cut both leads. Do not short circuit on tools.
7. Do not expose battery packs to direct sunlight for extended periods.
8. Do not attempt to tamper with or open the LiPo Hardcase. The case is protection against possible battery swelling.

### **Before charging:**

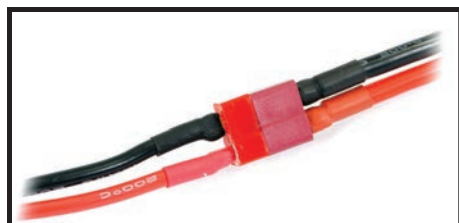
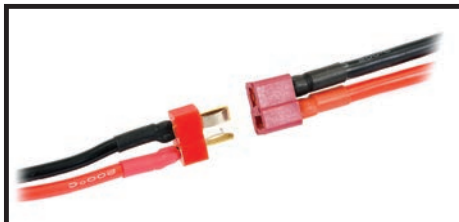
Visually inspect the pack checking for damaged leads, connectors, cracked heat shrink covering, swelling or other abnormalities. Do not charge if the pack is damaged.

### **Charging process:**

1. NEVER charge unattended.
2. Charge away from flammable materials and inside a Lipo safe sack or metal tin with lid.
3. Allow battery to cool before charging.
4. Use the battery label for setting charger cell count and voltage.
5. Do not exceed 2C MAX charge rate. (Example, charge a 1000mAH pack at 5A MAX).

If disposing of a LiPo battery proceed as follows:

Submerge the battery into a container filled with about 10 litres of salt water (one cup of salt in 10L). Leave the battery submerged for 2 weeks, this will slowly and safely discharge the battery until the voltage has dropped to zero volts which eliminates the risk of any chemical reaction. It can then be disposed of in the general waste collection.





# HOBBYWING BRUSHLESS SYSTEM SET-UP INSTRUCTIONS

1. Water-proof and dust-proof. The ESC can work under water for a short time.  
**(Please remove the cooling fan when running car in water, and after running, please make the ESC clean and then dry it to avoid the oxidation to copper connectors)**
2. Specially designed for RC car and truck, with excellent start-up, acceleration and linearity features.
3. Drive sensorless brushless motors.
4. 2 running modes ("Forward with brake" mode, "Forward/Backward with brake" mode).
5. Proportional ABS brake function with 4 steps of maximum brake force adjustment, 8 steps of drag-brake force adjustment.
6. 4 start modes ("Punch") from "Soft" to "Very aggressive" to be suitable for different chassis, tires and tracks.
7. Multiple protection features: Low voltage cut-off protection for Lipo or NiMH battery / Over-heat protection / Throttle signal loss protection / Motor blocked protection.
8. Easily programmed with the "SET" button on the ESC or with the optional LED Program Card.

## [SPECIFICATIONS]

**MK2RS**

Model	WP-S16-RTR	WP-S10C-RTR	WP-S10D-RTR WP-S10DS-RTR	WP-S10E-RTR	WP-10BL50-RTR (inc. speed control ver.)	WP-10BL60-RTR	
Cont./Burst	25A/90A	45A/260A	60A/390A	45A/220A	50A/300A	60A/390A	
Resistance	0.005 ohm	0.0012 ohm	0.0007 ohm	0.0012 ohm	0.0010 ohm	0.0012 ohm	
Car Applicable	1/18, 1/16 scale	1/10 scale on-road and off-road					
Motor Limit	2S Lipo 6 cells NiMH 2040 size motor	On-road: ≥ 12T Off-road: ≥ 18T 3650 size motor	On-road: ≥ 9T Off-road: ≥ 12T 3650 size motor	On-road: ≥ 5.5T Off-road: ≥ 9T 3650 size motor	On-road: ≥ 9T Off-road: ≥ 12T 3650 size motor	On-road: ≥ 8T Off-road: ≥ 11T 3650 size motor	On-road: ≥ 5.5T Off-road: ≥ 9T 3650 size motor
	3S Lipo 9 cells NiMH 2040 size motor	On-road: ≥ 18T Off-road: ≥ 24T 3650 size motor	On-road: ≥ 12T Off-road: ≥ 18T 3650 size motor	On-road: ≥ 8.5T Off-road: ≥ 13T 3650 size motor	On-road: ≥ 12T Off-road: ≥ 18T 3650 size motor	On-road: ≥ 11T Off-road: ≥ 14T 3650 size motor	On-road: ≥ 8.5T Off-road: ≥ 13T 3650 size motor
Battery	4-9 cells NiMH or 2-3S Lipo						
Rating Voltage of the Stock Cooling Fan (*Note 1)	Without cooling fan	5V	5V	7.4V	5V	5V	
Built-in BEC	6V/1A	6V/2A (Linear Mode)			6V/3A (Switch Mode)		
Program Port	Rx Wire	Multiplexed with cooling fan port					
Dimension/Weight	36*28*21 / 38g	49*34*35 / 75g	WP-S10D-RTR: 49*34*35 / 75g WP-S10DS-RTR: 49*32*41 /	48.5*38*32 / 90g	48.5*38*32 / 90g	48.5*38*32 / 90g	

\* Note1:

- 1) The cooling fan on the WP-S16-RTR / WP-S10C-RTR / WP-S10D-RTR / WP-S10DS-RTR / WP-S10E-RTR ESC draws amperage directly from the battery pack, and the 5V fan can only work with a 2S LiPo / 4-6S NiMH battery pack. When using a 3S LiPo/7-9S NiMH battery pack, then the fan must be changed into a 7.4V/12V one.
- 2) The cooling fan on the WP-10BL50-RTR / WP-10BL60-RTR ESC is powered by the built-in BEC, so the 5V fan is OK and there is no need to consider if the input voltage is high or low.
- 3) In addition, please detach the fan from the ESC when running the vehicle in water/rain.

## [BEGIN TO USE THE NEW ESC]

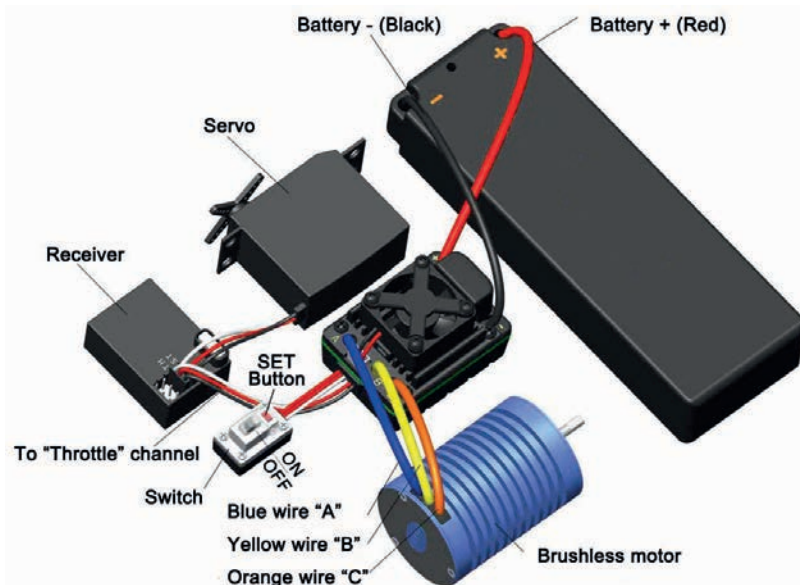
1. Connect the ESC, motor, receiver, battery and servo according to the following diagram

"+" and "-" wires of the ESC are connected with the battery pack, and #A, #B and #C are connected with the motor wires. The "SET" button is used for programming the ESC.

The control cable of the ESC (trio wires with black, red and white color) is connected with the throttle channel of the receiver (Usually CH2).

The #A, #B, #C wires of the ESC can be connected with the motor wires freely (without any order). If the motor runs in the opposite direction, please swap any two wire connections.

**Note:** You can use the transmitter to set the throttle channel to





the "Reverse" direction, and then the motor will run oppositely. Please calibrate the throttle range again after changing the direction of throttle channel.

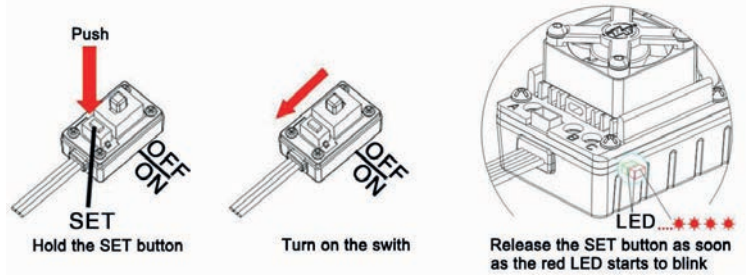
## 2. Throttle Range Setting (Throttle Range Calibration)

In order to make the ESC match the throttle range, you must calibrate it when you begin to use a new ESC, or a new transmitter, or after changing the settings of the neutral position of throttle channel, ATV or EPA parameters, otherwise the ESC cannot work properly.

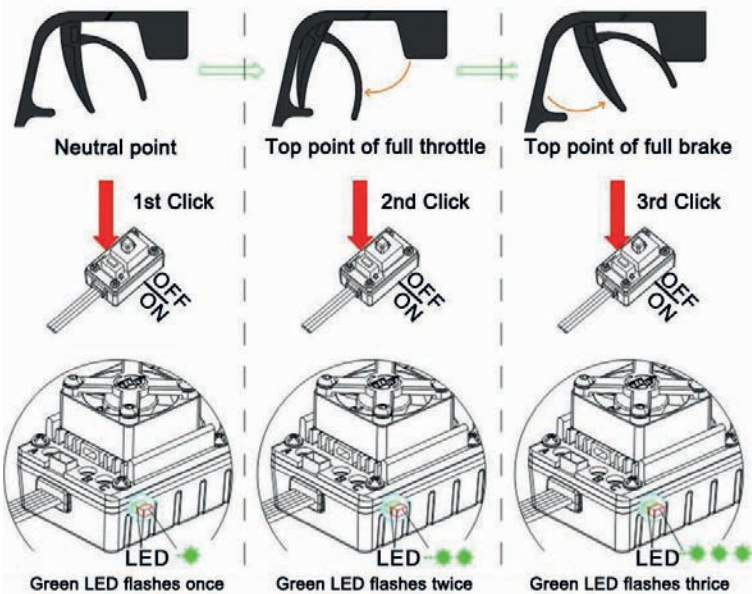
There are 3 points need to be set, they are the top point of "forward," backward" and the neutral point.

The following pictures show how to set the throttle range with a Futaba™ transmitter.

- A) Switch off the ESC, turn on the transmitter, set the direction of throttle channel to "REV", set the "EPA/ATV" value of throttle channel to "100%", and disable the "ABS" brake function of your transmitter. (\*Note2)
- B) Hold the "SET" key and then switch on the ESC, when the red LED begins to flash, release the key immediately. (Please check the picture on the right side)



- C) Set the THREE points according to the steps shown in the picture on the right side.
- 1) Neutral point
  - 2) End point of forward direction
  - 3) End point of backward direction
- D) When the process of calibration is finished, the motor can be started after 3 seconds.



*Note2: If you don't release the "SET" key after the red LED begins to flash, the ESC will enter the program mode, in such a case, please switch off the ESC and re-calibrate the throttle range again from step A to step D.*

## 3. The LED Status in Normal Running

- a) When the throttle stick is in the neutral range, neither the Red LED nor the Green LED lights up.
- b) When the car moves forward, the Red LED solidly lights; the Green LED also lights up when the throttle stick is at the top position (100% throttle).
- c) When the car brakes, the Red LED solidly lights; the Green LED also lights up when the throttle stick is at the bottom position and the maximum brake force is set to 100%.
- d) When the car reverses, the Red LED solidly lights.

### [ALERT TONES]

1. Input voltage abnormal alert tone: The ESC begins to check the input voltage when power on, if it is out of the normal range, such an alert tone will be emitted: "beep-beep-, beep-beep-, beep-beep-" (There is 1 second time interval between every "beep-beep-" tone).
2. Throttle signal abnormal alert tone: When the ESC can't detect the normal throttle signal, such an alert tone will be emitted: "beep-, beep-, beep-" (There is 2 seconds time interval between every "beep-" tone).

### [PROTECTION FUNCTION]

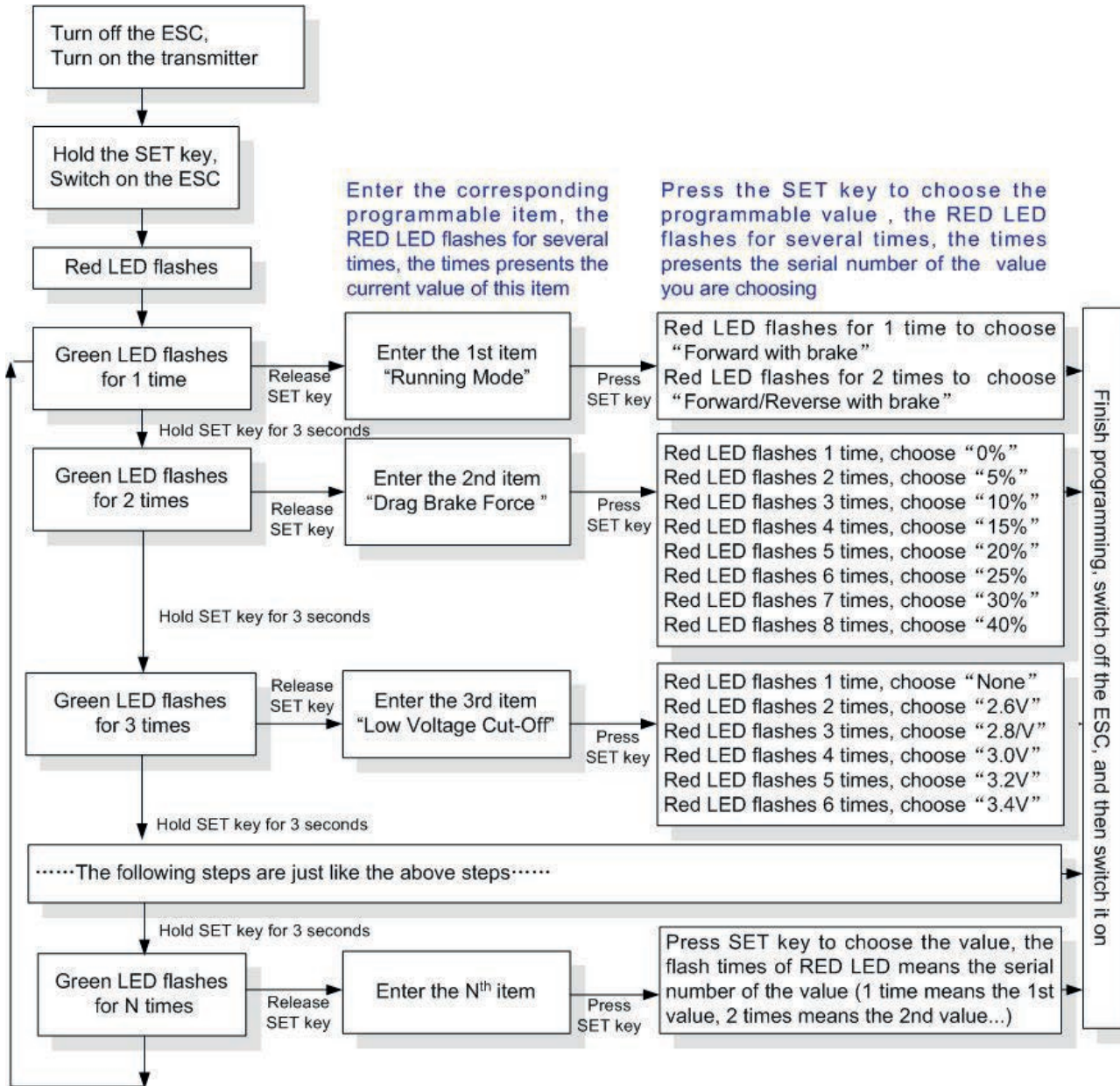
1. Low voltage cut-off protection: If the voltage of a Lipo battery pack is lower than the threshold for 2 seconds, the ESC will cut off the output power. Please note that the ESC cannot be restarted if the voltage of each Lipo cell is lower than 3.5V.  
For NiMH battery packs, if the voltage of the whole NiMH battery pack is higher than 9.0V but lower than 12V, it will be considered as a 3S Lipo; If it is lower than 9.0V, it will be considered as a 2S Lipo. For example, if the NiMH battery pack is 8.0V, and the threshold is set to 2.6V/Cell, it is considered as a 2S Lipo, and the low-voltage cut-off threshold for this NiMH battery pack is 2.6\*2=5.2V.
2. Over-heat protection: When the temperature of the ESC is over a factory preset threshold for 5 seconds, the ESC will cut off the output power. You can disable the over-heat protection function for competition race.



3. Throttle signal loss protection: The ESC will cut off the output power if the throttle signal is lost for 0.2 second.

**[PROGRAM THE ESC]**

**1. Program Method**



**Note:**

- ☒ In the program process, the motor will emit “Beep” tone when the LED is flashing.
- ☒ The 5<sup>th</sup> programmable item is represented by 5 short Beeps (that is, “BBBBB”).
- ☒ For the options of each programmable item, we use a long time flash and long “Beep---” tone to represent number “5”, so it is easy to identify the options with big numbers.

For example, if the LED flashes as the following:

“A long time flash” (Motor sounds “B---”) = The option 5

“A long time flash + a short time flash” (Motor sounds “B---B”) = The option 6

“A long time flash + 2 short times flash” (Motor sounds “B---BB”) = The option 7

“A long time flash + 3 short times flash” (Motor sounds “B---BBB”) = The option 8



## 2. Programmable Items list

Programmable Items	Programmable Value							
	1	2	3	4	5	6	7	8
1. Running Mode	Forward with Brake	<i>Forward/Reverse with Brake</i>						
2. Drag Brake Force	<i>0%</i>	5%	10%	15%	20%	25%	30%	40%
3. Low Voltage Cut-Off Threshold	Non-Protection	2.6V /Cell	2.8V /Cell	<i>3.0V /Cell</i>	3.2V /Cell	3.4V /Cell		
4. Start Mode (Punch)	Level1 (Soft)	Level2	<i>Level3</i>	Level4 (Very Aggressive)				
5. Maximum Brake Force	25%	50%	<i>75%</i>	100%				

**Attention:** The italic texts in the above form are the default settings.

## 3. Programmable Items

**3.1. Running Mode:** With "Forward with Brake" mode, the car can go forward and brake, but cannot go backward, this mode is suitable for competition; "Forward/Reverse with Brake" mode provides backward function, which is suitable for training.

**Note:** "Forward/Reverse with Brake" mode uses "Double-Click" method to make the car go backward. When you move the throttle stick from forward zone to backward zone for the first time, the ESC begins to brake the motor, the motor speeds down but it is still running, not completely stopped, so the backward action is NOT happened now. When the throttle stick is moved to the backward zone again (The 2<sup>nd</sup> "click"), if the motor speed is slowed down to zero (i.e. stopped), the backward action will be occurred. The "Double-Click" method can prevent mistakenly reverse when the brake function is frequently used in steering.

**3.2. Drag Brake Force:** Set the amount of drag brake applied at neutral throttle to simulate the slight braking effect of a neutral brushed motor while coasting.

**3.3. Low Voltage Cut-Off:** The function is mainly used to prevent the Lipo battery from over discharging. The ESC monitors the battery's voltage at any time, if the voltage is lower than the threshold, the output power will be reduced to 50% in 2 seconds. Please drive to the side of racing track as soon as possible and then stop the car, the ESC will completely cut off the output power in 10 seconds. The values listed in the table refer to the cut-off threshold for each Lipo cell.

**3.4. Start Mode (Also called "Punch"):** Select from "Level1 (Soft)" to "Level 4 (Very aggressive)" start mode as you like. Please note that if you choose "Level 4 (Very aggressive)", you should use good quality battery with powerful discharge ability, otherwise you cannot get the bursting start effect as you want. If the motor cannot run smoothly (that is: the motor is trembling), it may caused by the weak discharge ability of the battery, please choose a better battery or increase the gear rate.

**3.5. Maximum Brake Force:** The ESC provides proportional brake function. The brake force is related to the position of the throttle stick. Maximum brake force refers to the force when the throttle stick is located at the top point of the backward zone. A very large brake force can shorten the brake time, but it may damage the gears.

## 4. Reset All Items To Default Values

At any time when the throttle is located in neutral zone (except in the throttle calibration or programming mode), hold the "SET" key for over 3 seconds, the red LED and green LED will flash at the same time, which means each programmable item has been reset to its default value. It needs to be restarted to complete the whole process.

### 【OPTIONAL ACCESSORIES】

We provide the following optional accessories:

**1. Cooling fan (12V):** The high voltage fan is an option when you use 3S Lipo or NiMH battery more than 6 cells.

**WARNING!** Please note the original cooling fan (5V) is only allowed to work with 2S Lipo or 4-6 cells NiMH battery. Please DON'T use it with a 3S Lipo or NiMH battery more than 6 cells.

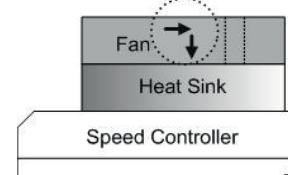
### 2. LED Program Card (Digital LED Display)

The LED Program Card is an optional accessory which needs to be purchased separately. It has a friendly user interface. The process of programming the ESC becomes quite easy and fast with this pocket sized device.

**Please connect the ESC to LED Program Card via the program port.**

☒ For WP-S16-RTR ESC, the program port is multiplexed with the Rx wire, please

Mark: Direction of the airflow and the impeller

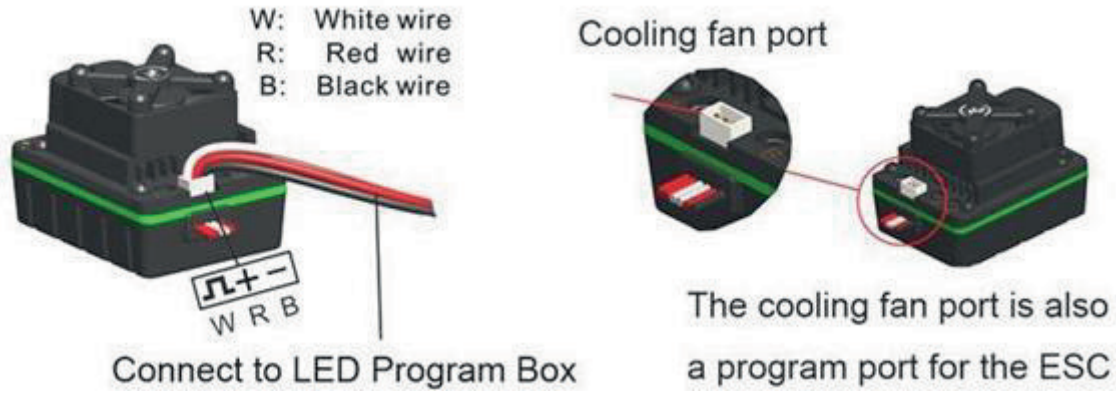






disconnect the Rx wires from receiver and then connect it to LED program card.

- For WP-S10C, WP-S10D, WP-S10DS, WP-S10E, WP-10BL60 ESC, the program port is multiplexed with the cooling fan port, please disconnect the cooling fan, and then use program cable to connect the fan port of the ESC to the LED program card.

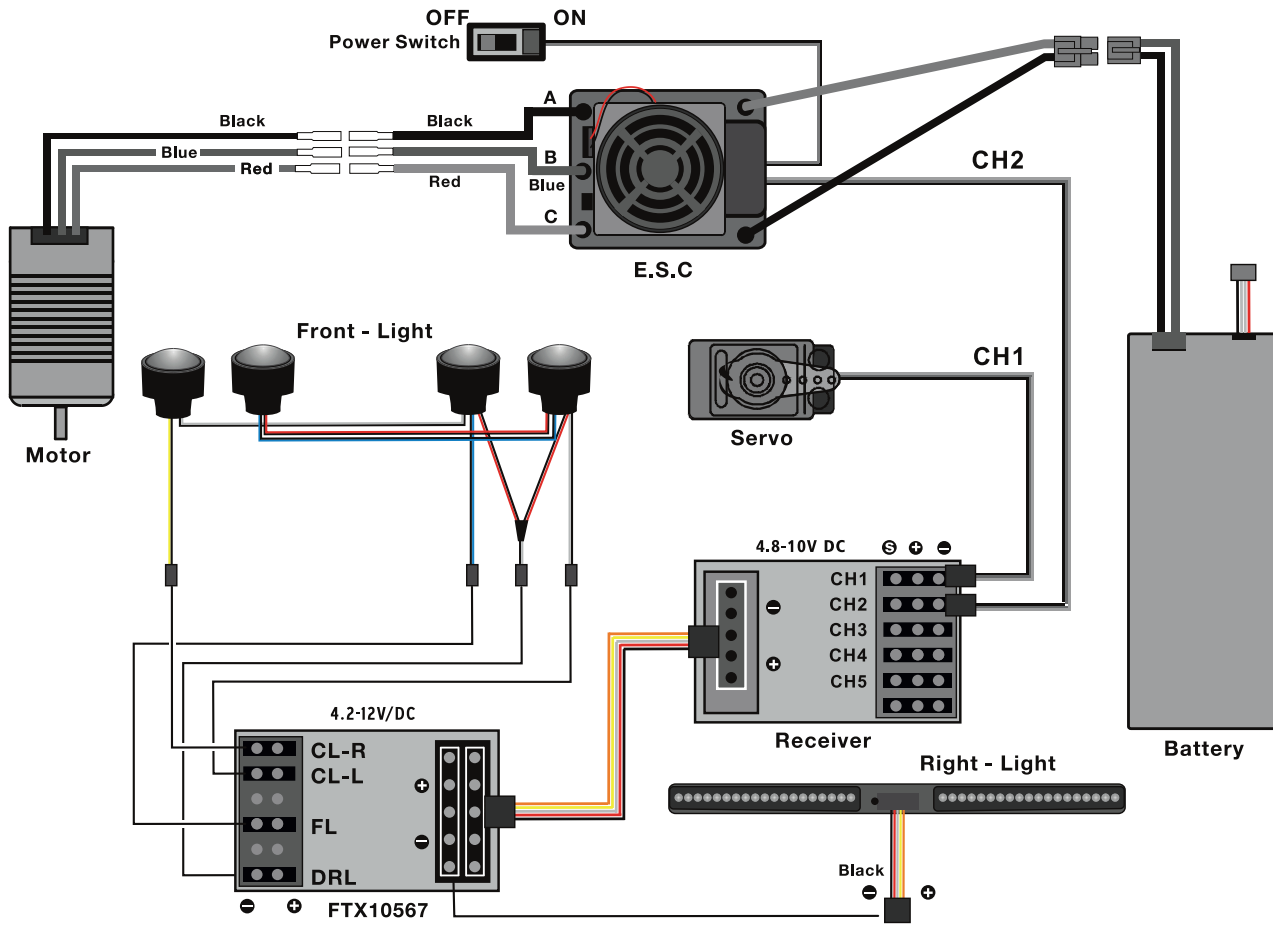


### 【TROUBLE SHOOTING】

Trouble	Possible Reason	Solution
After power on, motor can't work, no sound is emitted	The connections between battery pack and ESC are not correct	Check the power connections Replace the connectors
After power on, motor can't work, but emits "beep-beep-, beep-beep-" alert tone. (Every "beep-beep-" has a time interval of 1 second )	Input voltage is abnormal, too high or too low.	Check the voltage of the battery pack
After power on, motor can't work, but emits "beep-, beep-, beep-" alert tone. (Every "beep-" has a time interval of about 2 seconds). And the red LED solid lights	Throttle signal is abnormal	Check the transmitter and the receiver Check the wire of the throttle channel
After power on, motor can't work and the red LED blinks very quickly	The neutral point of the throttle channel is changed	Calibrate the throttle range for the ESC again, or adjust the trimmer of throttle channel (on the transmitter) to change the neutral point.
The motor runs in the opposite direction	The wire connections between ESC and the motor need to be changed	Swap any two wire connections between the ESC and the motor.
The motor suddenly stops running while in working state	The throttle signal is lost	Check the transmitter and the receiver Check the wire of the throttle channel
	The ESC has entered the Low Voltage Protection Mode	Replace the battery pack
Random stop or restart or irregular working state	Some connections are not reliable	Check all the connections: battery pack connections, throttle signal wire, and motor connections, etc.
	There is strong electro - magnetic interference in flying field.	Reset the ESC. If the function could not be resumed, you might need to move to another area to run the car.

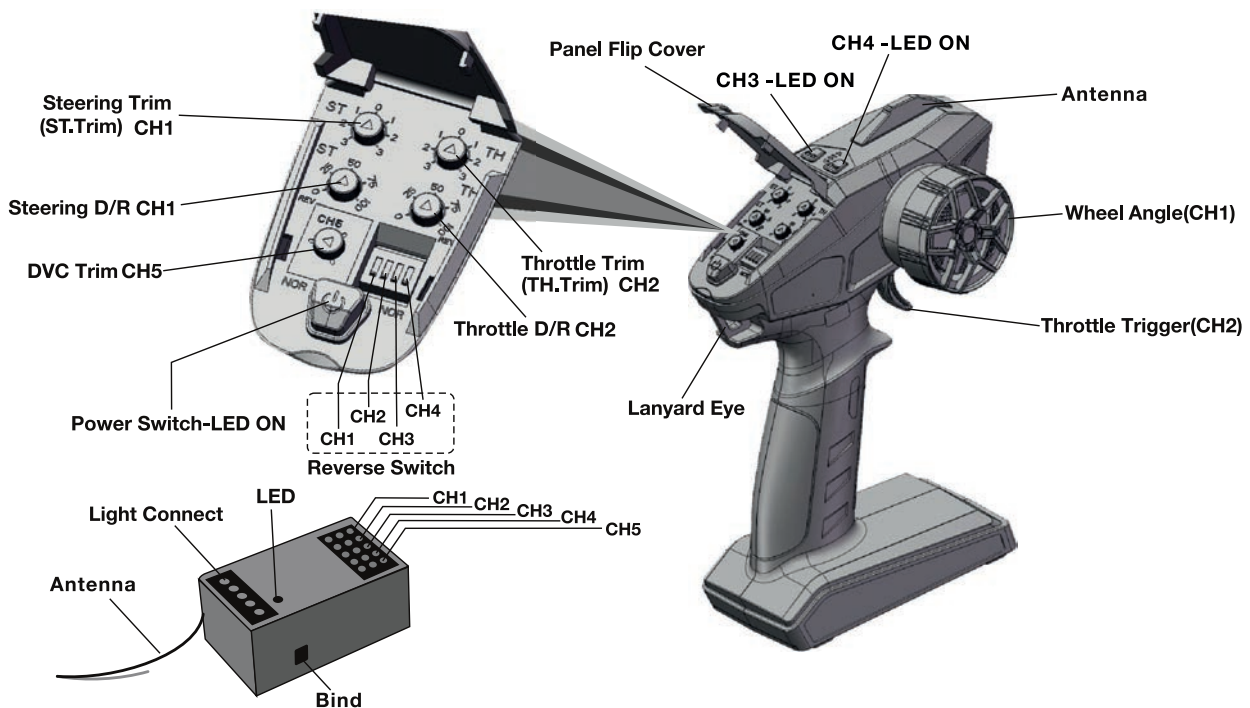


### Electric Scheme of installation



**Note:** please connect the light group according to the wiring diagram. No light on, please check the connector, and adjust the positive and negative ports. The light group could not be damaged when the positive and negative pole in incorrect position.

### 2.4GHZ Radio System



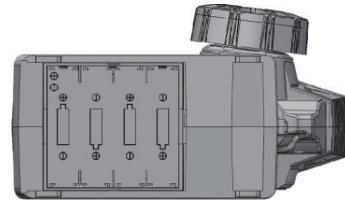
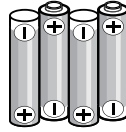


## Install Transmitter Batteries

### Battery Installation:

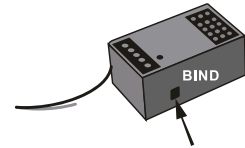
1. Open the battery compartment cover.
2. Insert 4 AA fully charged batteries or 2S Li-Po batteries with correct polarity.  
(There will be no response if the battery polarity is reversed.)
3. Close battery compartment cover.

Batteries: 4 x 1.5 V "AA"  
(not included)

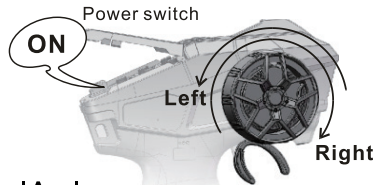


### Bind key:

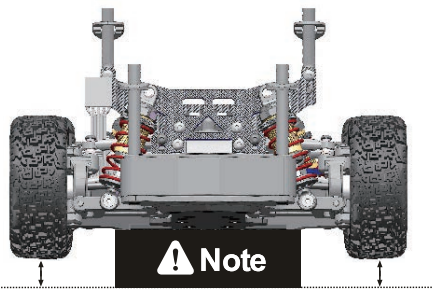
1. Long press the bind key for 3 seconds to bind;
2. Short press to set the out-of-control protection;
3. Press twice to switch the reverse direction of the brake light;
4. Short press three times to switch the way to control the light by handwheel control or channel control;
5. Short press four times to open/close the sport mode;
6. Short press five times to switch on/off mixed control mode, in this mode, the transmitter must also be in mixed control mode;
7. Press six times to restore factory settings.



## Check the steering after the vehicle is bound with the transmitter.



**Wheel Angle,**  
the maximum rotation of the  
Steering wheel is 35 degrees from center to left or right .

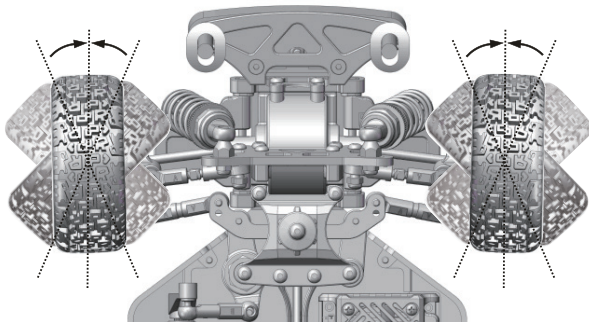


**Note**

Place the vehicle on a stand with its four wheels off the ground.

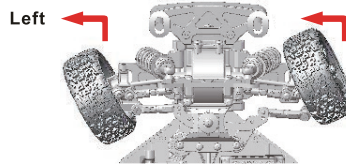
The ST.TRIM is the trims for CH1(steering), You can trim the Steering Trim until it fulfills your desired steering angles.

ST.D/R is for servo travel adjustment, which can be multiplexed as CH2(throttle), CH3, CH4 servo travel adjustment.

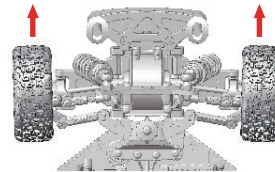


### Note:

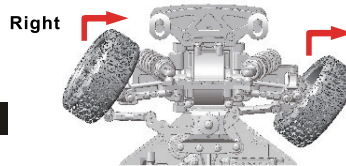
- Please trim the Throttle Trim (TH. Trim) until the vehicle stops in case the vehicle goes forwards or backwards itself just after it is turned on.
- If the front wheels are not aligned, please trim "steering trim" (ST.TRIM) until they are aligned.



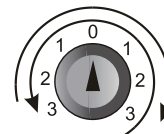
Move the control wheel to the left,  
the vehicle turns left.



Do not move the control wheel.  
When the front wheels are aligned,  
the vehicle goes straight in line.

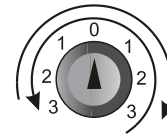


Move the control wheel to the right,  
the vehicle turns right.



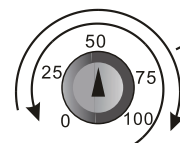
(ST.TRIM)

ST.TRIM/R: increase adjustment step  
ST.TRIM/L: decrease adjustment step



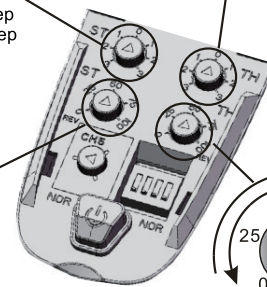
(TH.TRIM)

TH.TRIM/R: increase adjustment step  
TH.TRIM/L: decrease adjustment step



(Steering D/R)

STD/R+: increase servo travel  
STD/R-: decrease servo travel

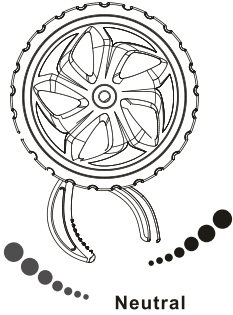


(Throttle D/R)

TH.D/R+: increase throttle travel  
TH.D/R-: decrease throttle travel



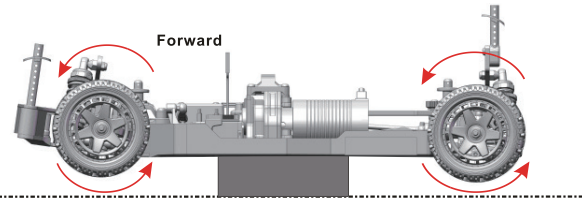
**Pull the trigger to go forwards, push it to brake, center the trigger and then push it again to go backwards.**



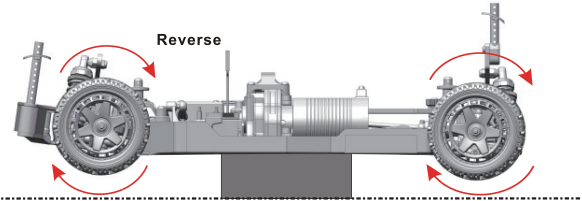
**Throttle trigger,**  
has a total throw of 12 degrees,  
12.5 degrees forward,  
and 12.5 degrees backward.

Neutral

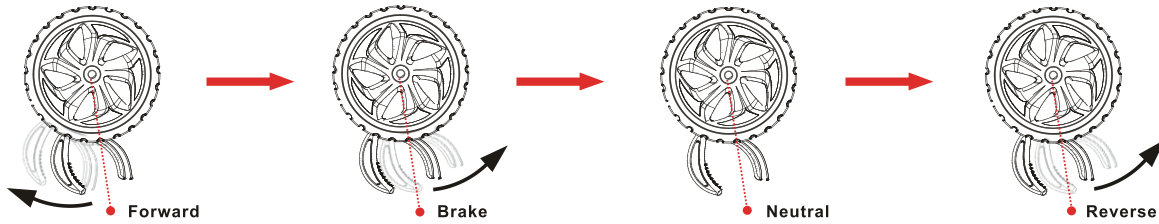
The heavier you pull or push the trigger,  
the faster acceleration will be.



Forward



Reverse

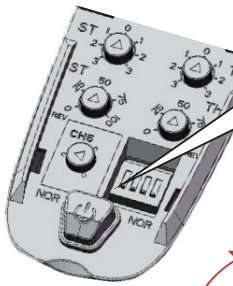


Forward

Brake

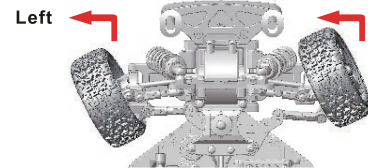
Neutral

Reverse

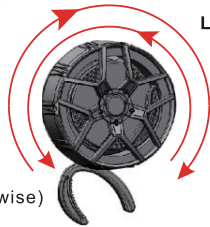


**ST.REV (CH1)**

- Steering Trim (ST. Rev) is used to reverse the direction of servo movement.
- The ST.REV switches are the reverse buttons for CH1. If the switch is up it indicates reverse, and the down indicates normal.



Left

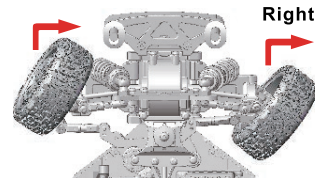


Left (Anti-clockwise)

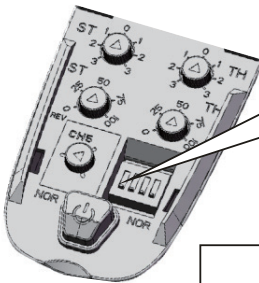
Vehicle turning left when the control wheel is turned to the left (Steering Rev. At Normal position)

Vehicle turning right when the control wheel is turned to the right (Steering Rev. at Reverse position)

Right (clockwise)



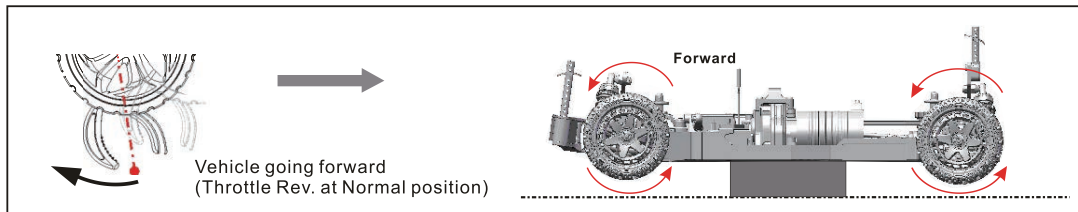
Right



**TH.REV (CH2)**

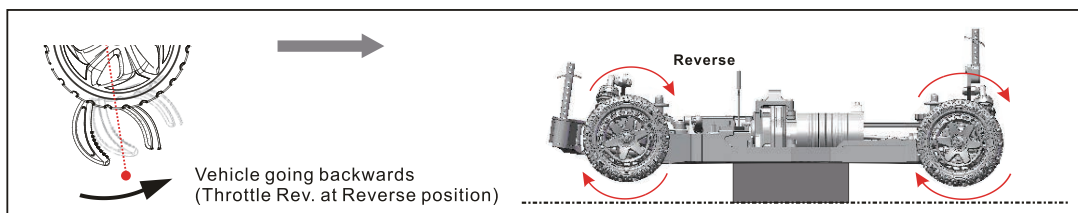
- The Throttle Rev. is used to reverse the direction of motor rotation.
- The TH.REV switches are the reverse buttons for CH2. If the switch is up it indicates reverse, and the down indicates normal.

**CHANNEL REVERSE**



Vehicle going forward  
(Throttle Rev. at Normal position)

Forward

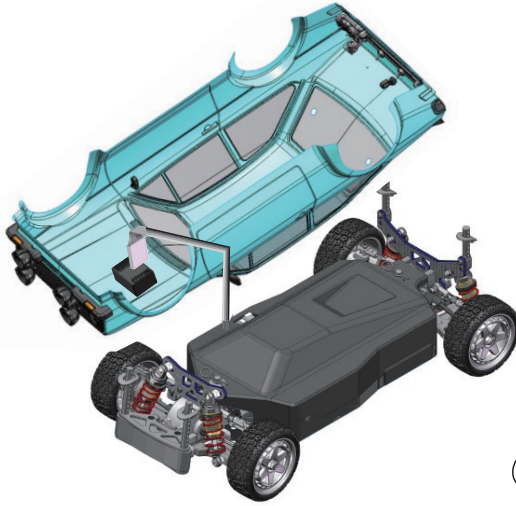


Vehicle going backwards  
(Throttle Rev. at Reverse position)

Reverse



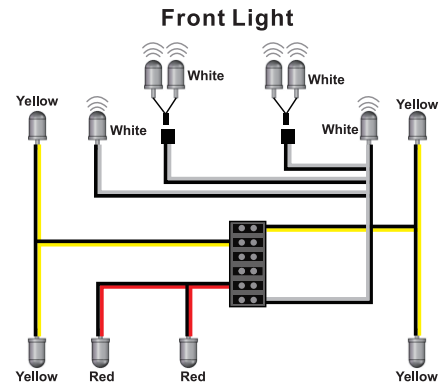
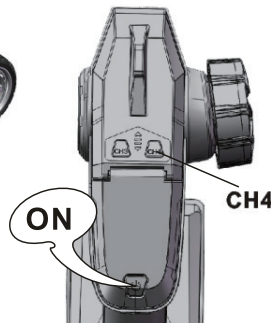
## Light Control Usage



**As shown in picture:**  
Connect the light wire correctly, and install the bodyshell.

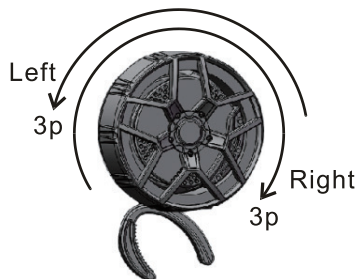
Power on the transmitter, then switch on the car, press the CH4 button (the CH4 LED will turn on), then the front and rear lights are on. Press the CH4 button again (the CH4 LED will turn off), the front and rear lights are off.

**Note:** Once the lights of the car are abnormal, please adjust the positive and negative ports of the light connector and use the CH4 direct-reverse button to repair.



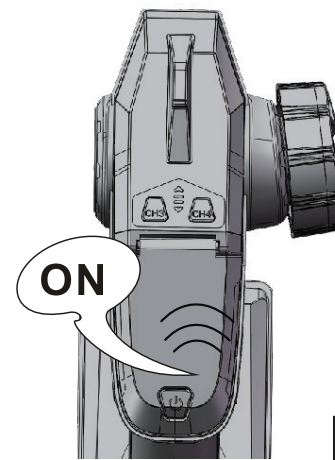
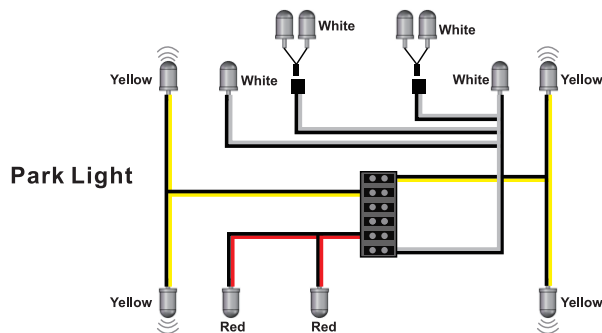
### • Headlights Control positive and negative Switch (CH4)

In factory setting, when you switch on the car and press the CH4 button, the headlights turn on. Press the CH4 button again, and the headlights turn off.



### • Park Light

Turn the transmitter wheel left or right for three times, the emergency light (flash) is on. Turn three times again, the flash function is off.



**Note**

Turn the transmitter wheel left or right for three times, the emergency light (flash) is on. Turn three times again, the flash function is off.

**Once all the steps are done, your car is ready to run. Hope you enjoy the fun in driving it.**

**Tip: Always turn off the receiver and the transmitter when not in use. Clean the car before storage.**

### Vehicle Maintenance:

- 1). Please remove the battery pack plug or take it out when the car is out of use.
- 2). Before each use, please redo the above steps and check the condition of all parts for excessive wear.
- 3). Prevent the unused battery pack from over-discharge (keep it above 40% recommended), and keep it in a dry and cool place, out of reach of children.
- 4). After each use, please carefully check the condition of all parts, and repair or replace the worn parts. Use a fine brush to sweep the sand, marl and other dirt inside the model, then wipe it clean with a soft cloth.





## Eccentric Bushing Setup Guide

ESCORT rear lower suspension holders provide wide range of adjustment for the rear suspension. By using different combinations of eccentric bushings, you can obtain fine adjustments for rear anti-squat, rear toe - in, rear roll center, and rear track - width. Please check the chart below.

ANTI-SQUAT			ROLL-CENTER			TRACK WIDTH			TOE-IN		
RR	RF	(°)	RR	RF	(mm)	RR	RF	(mm)	RR	RF	(°)
		= 2°			= + 0.75mm			= +1.5mm			= 3°
		= 3°			= 0mm			= 0mm			= 4°
		= 1°			= -0.75mm			= -1.5mm			= 2°
		= 3°									= 2°
		= 2°									= 3°
		= 4°									= 1°
		= 1°									= 4°
		= 2°									= 5°
		= 0°									= 3°

▲ The track width is directly influenced by the size of the wheels and tires used.

▲ The tables describe the amounts of adjustment using the center and outside positions of the eccentric bushings.

▲ The middle position eccentric bushings allow for finer adjustment increments.

Example:

0(RR) - 0 (RF) = 2° = 2°

0(RR) - 0.5 (RF) = 2.5° = 2.5°

0(RR) - 1 (RF) = 3° = 3°

ESCORT front alu lower suspension holders provide wide range of adjustment for the front suspension. Using different combinations of eccentric bushings, fine adjustment of rear anti-squat, rear toe-in, rear roll center, and rear track-width can be obtained. Please check the chart below.

KICK-UP			ROLL-CENTER			TRACK WIDTH			TOTAL CASTER=C-HUB CASTER+ KICK UP					
FF	FR	(°)	FF	FR	(mm)	FF	FR	(mm)	C-HUB CASTER	KICK-UP				
		= 9°			= + 0.75mm			= + 1.5mm		7	8	9	10	11
		= 8°			= 0 mm			= 0mm	6°	13	14	15	16	17
		= 10°			= -0.75mm			= -1.5mm	9°	16	17	18	19	20
		= 8°												
		= 7°												
		= 9°												
		= 10°												
		= 9°												
		= 11°												

▲ The track width is directly influenced by the size of the wheels and tires used.

▲ The tables describe the amounts of adjustment using the center and outside positions of the eccentric bushings.

▲ The middle position eccentric bushings allow for finer adjustment increments.

Example:

0(FF) - 0(FR) = 9° = 9°

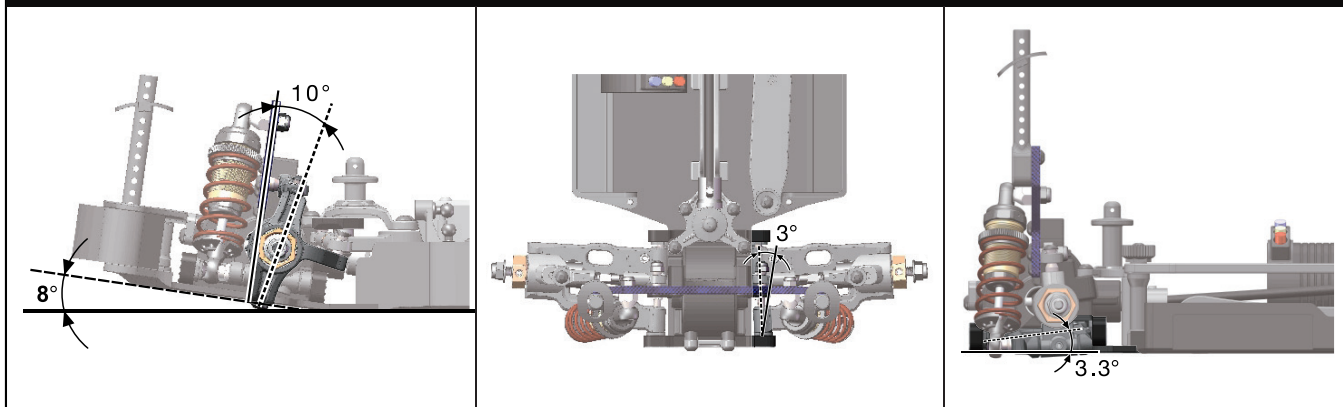
0.5(FF) - 0(FR) = 9.5° = 9.5°

1(FF) - 0(FR) = 10° = 10°

Caster is the angle between the steering pivot axis and the vertical plane. Caster is affected not only by the C-Hub caster, but also by the front kick-up angle relative to the flat chassis bottom. The table indicates how kick up angle effects total caster.

The FOXHOUND's stock caster blocks are 9°, but 6° blocks are available as an option.

## SET-UP SHEET





**PLEASE NOTE:**

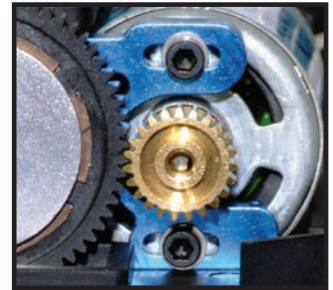
Although the electronics are waterproof the rest of car can be subjected to damage if running in excessively wet or submerged conditions.

**After Run**

Switch off the receiver power, switch off the transmitter.  
 Disconnect the battery and remove it from the vehicle, allow it to cool before recharging. If you have a second charged battery all ready to use, still allow the vehicle to cool slightly before continuing.

**Regular maintenance**

Frequently check the whole vehicle for loose or missing fixings. Use thread lock on any replacement screws into metal threads.  
 Frequently check rotating parts are free from grass, string etc. that might bind their motion and over stress the motor or speed controller. Remove the wheels occasionally and check behind the mounting hex for obstructions or anything that might have been wrapped around the axle and caused extra drag.  
 Check the gear mesh frequently and remove any stones or grit from gear teeth to prevent premature wear and damage.  
 If the motor moves, or is removed for maintenance/exchange, the gear mesh will need to be set. Simply slacken the motor retaining screws and adjust the motor until there is just discernable backlash between pinion and spur teeth. If the gear is too tight or too loose the gears will be noisy and could be damaged.  
 Shock absorbers will wear prematurely if used in dirty dusty conditions. Replace oil and seals as required to keep a smooth dampening action.



**Trouble shooting guide.**

<p><b>Short Runtime:</b>          Battery damaged/not charged          Motor dirty or brushes worn          Drivetrain binding</p>	<p><b>Sluggish Action:</b>          Motor dirty or brushes worn          Bind in drive train          Battery running low on power</p>	<p><b>Motor/ESC overheat:</b>          Over-gearred          Binding transmission.          Seized axle bearing.          Motor binding</p>	<p><b>Motor spins but vehicle refuses to move:</b>          Gears damaged.          Gears loose on shaft.          Slipper clutch too loose.          Drive shaft broken or missing.</p>	<p><b>Poor Range or fails to operate:</b>          Transmitter batteries low          Vehicle Battery Low.          Transmitter switched off          Transmitter/receiver aerial not extended.          ESC switched off or battery not connected.          Loose connectors/wires.          Water damage. Model electronics are not waterproof.</p>
--	--	---	--	---

**Warranty**

Due to the nature of this product and potential use FTX warrants it to be free of material and workmanship defects when new. FTX will at its sole discretion repair or replace defective components free of charge within 30 days from date of purchase. This warranty does not cover wear and tear, crash or impact damage, modifications, component water damage failure to perform maintenance or damage from improper use. Proof of purchase date will be required to action any warranty claims. In no case shall FTX's liability exceed the original cost of the purchased kit.

**Instructions for disposal**

Environmental Protection Notes & WEEE

The crossed-out wheeled bin symbol shown here, which may be found on the product itself, in the operating instructions or on the packaging, is in accordance with the Waste Electrical and Electronic Equipment (WEEE) Directive. Individual markings indicate which materials can be recycled and re-used. You can make an important contribution to the protection of our common environment by re-using the product, recycling the basic materials or recycling redundant equipment in other ways.

When this product comes to the end of its useful life, you must not dispose of it in the ordinary domestic waste. Many electrical items that we throw away can be repaired or recycled. Recycling items helps to save natural resources and also reduces the environmental and health impacts that are linked with sending electrical goods to landfill. The correct method of disposal is to take it to your local collection point for recycling electrical and electronic equipment. You can go to [recycle-more.co.uk](http://recycle-more.co.uk) for details of locations.

Alternatively FTX can offer our customers free take-back of their WEEE on a like-for-like basis when they buy a new Electrical or Electronic product from us. For example, if a customer bought a new radio system from us or a dealer, we would accept their old radio and prevent it going into a landfill site by disposing of it safely. Customers must return their old WEEE item to us within 28 days of purchasing their new item.

Remove batteries from your device and dispose of them at your local collection point for batteries. If you don't know the location of your nearest disposal centre, please enquire at your local council office.



CML Distribution, Saxon House, Saxon Business Park, Hanbury Road,  
 Bromsgrove, B60 4AD. WEE/GB4215VX





# Le FTX Mk2RS Escort 4x4, une voiture de trail à l'échelle 1/10 prête à rouler

Merci d'avoir choisi le FTX Mk2RS Escort 4x4 électrique. Ce modèle est monté d'usine, l'électronique est pré installée et réglée pour permettre un démarrage et du plaisir le plus rapidement possible.



Attention: lisez l'intégralité du manuel pour exploiter au mieux la voiture et éviter des dommages mécaniques ou corporels.

Ce modèle n'est pas un jouet, il doit être manipulé avec précaution.

Utilisé dans de mauvaises conditions, ce modèle peut causer des dommages.

Ce modèle n'est pas fait pour être utilisé par un enfant sans la surveillance directe d'un adulte.

Il est essentiel de lire et de suivre les instructions et les recommandations de ce manuel pour entretenir et faire évoluer votre modèle dans de bonnes conditions.

## Mesures de sécurité:

- Vous êtes responsable lors de l'évolution de ce modèle, veillez à ne pas vous mettre en danger, à mettre en danger le modèle ou la propriété d'autrui.
- Ce modèle radiocommandé peut être perturbé par d'autres sources d'onde radio, ce qui peut entraîner la perte momentanée du contrôle de la voiture.
- Age recommandé : 14 ans, ceci n'est pas un jouet, ce produit n'est pas fait pour être utilisé par un enfant sans surveillance.

## Suivez consciencieusement les instructions suivantes :

- Ne jamais évoluer avec des batteries d'émission faibles
- Toujours évoluer dans une zone dégagée, loin de la circulation et de la foule
- Ne jamais évoluer dans une rue ou un endroit fréquenté
- Toujours garder le modèle dans son champ de vision
- Gardez hors de portée des enfants tous les composants de petite taille, électriques ou chimiques
- Tenez le modèle hors de portée de l'eau (la rouille peut causer des dommages irréversibles au modèle)
- Faites attention aux pièces en rotations, axes, pignons etc.
- Les débutants doivent prendre conseil auprès de personnes plus expérimentées
- Faites attention lors de l'utilisation des outils
- Attention à ne pas mettre les doigts ou d'autres parties du corps en contact avec les pièces en rotation
- Faites attention lors du transport, de la maintenance ou de la réparation, certaines pièces peuvent être coupantes.
- NE JAMAIS toucher les composants tels que le moteur, le variateur ou les batteries après utilisation, ces pièces peuvent être chaudes
- Lorsque vous changez de fréquence d'émission assurez-vous que les quartz de fréquence sont bien positionnés (RX pour récepteur et TX pour l'émetteur)
- Toujours éteindre en premier la voiture avant l'émetteur
- Vérifiez le bon fonctionnement de la voiture les roues dans le vide (en prenant les précautions nécessaires)
- Prolongez la durée de vie du moteur en le préservant de la surchauffe (la durée de vie du moteur dépend aussi de la fréquence de roulage, des changements rapide de direction avant/arrière, des conditions de roulage difficiles poussière/boue des utilisations abusives tirer/pousser des objets)

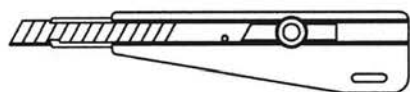
## Contents:

- 1 FTX Mk2RS Escort 1/10ème prêt à rouler électrique
- 1 Emetteur à volant fréquence 2.4GHz





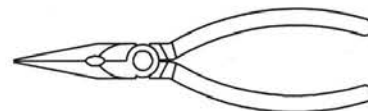
## EQUIPMENTS REQUIS POUR LA MAINTENANCE:



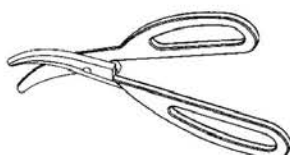
● Cutter



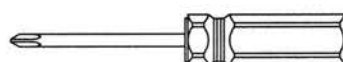
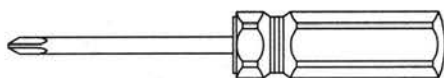
● Règle



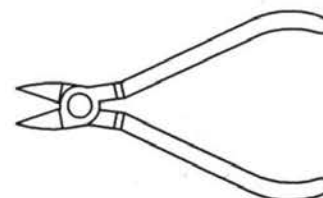
● Pince



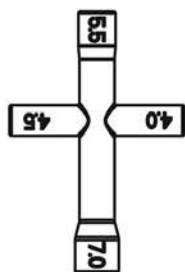
● Ciseaux à lexan



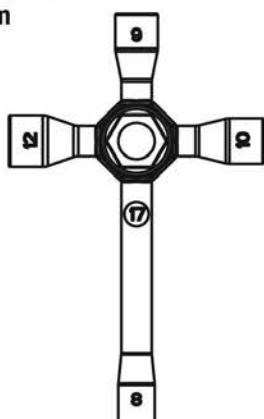
● Tournevis plats et cruciformes



● Pince coupante



● Clé



● Colle à pneu



● Frein filet



1.5mm



2.0mm



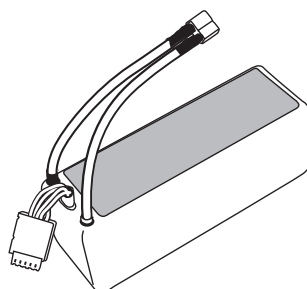
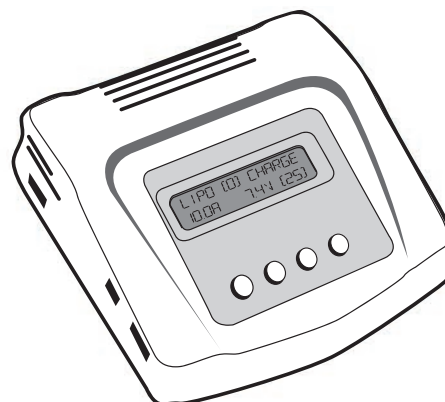
2.5mm

● Clé Allen

**ATTENTION:** L'utilisation d'une visseuse électrique pour la maintenance pourrait endommager l'emprunte des vis ou casser des pièces du modèle.



4 piles alcalines AA pour l'émetteur

● Shorty taille 2S ou  
Batterie LiPo 3S

● Chargeur LiPo

**IMPORTANT:** Veuillez vérifier le serrage de chaque vis et écrous avant l'utilisation du modèle.



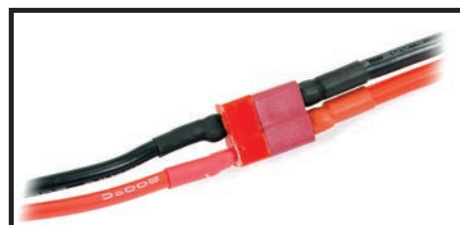
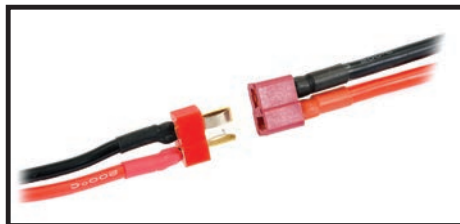
## CHARGER/INSTALLER LA BATTERIE

**IMPORTANT ! TOUJOURS CHARGER LES ACCUS LIPO A L'AIDE D'UN SAC DE CHARGE DE PROTECTION ADAPTE ET LE PLUS ELOIGNE POSSIBLE DES MATIERES INFLAMMABLES. NE JAMAIS CHARGER LES ACCUS SANS SURVEILLANCE ET TOUJOURS STOCKER LA VOITURE SANS LA BATTERIE A L'INTERIEUR.**

Toujours débrancher et enlever la batterie lors du stockage de votre modèle. Ne jamais charger une batterie directement sur le modèle. Le chargeur/équilibreur LIPO mural 900 mA fourni avec la voiture prend approximativement 2.5h pour recharger une batterie complètement déchargée. Avant de mettre en charge vérifiez que la batterie est bien placée dans le sac de charge Valt. (Les batteries LIPO peuvent être dangereuses, elles doivent être manipulées avec précaution.) Les Batteries LIPO requièrent une charge totalement différente que des batteries NIMH, assurez vous de bien connaître la procédure avant de commencer la charge. Une erreur peut provoquer le feu ou des blessures. L'utilisateur doit assumer les conséquences et les risques de l'utilisation des batteries LIPO. (Retournez immédiatement le produit non utilisé si vous n'acceptez pas ces risq).

### ATTENTION! NE LAISSEZ JAMAIS UNE BATTERIE CHARGER SANS SURVEILLANCE.

- Le chargeur fourni permet de recharger les batteries 2S ou 3S (nombre d'éléments). La batterie fournies sont des piles 3S assurez-vous de connecter correctement l'équilibreur. La LED d'état est rouge et le voyant d'alimentation est vert. Lorsque la charge est terminée, les deux sont verts. Les LED commencent à clignoter ensemble, arrêtent le charger, débrancher la batterie et recommencer accusé. Lorsque la charge est terminée, débrancher la batterie (le chargeur peut être chaud). Débranchez toujours le chargeur de la prise murale mais aussi la batterie.
- Tenez les enfants loin du chargeur et de la batterie lors de la charge.
- Pour installer un batterie de votre voiture, retirez les clips de carrosserie et la carrosserie.
- Desserrer les sangles, insérer la batterie, puis serrer les sangles de manière à ce qu'elles maintiennent fermement la batterie à l'intérieur du boîtier de batterie.



- Assurez-vous que l'interrupteur de la voiture est sur la position off avant de connecter la batterie.

### UTILISATION DE LA BATTERIE:

- Toujours refroidir une batterie après son utilisation
- Toujours inspecter une batterie avant de la charger (Tout fil dénudé, fissure dans la gaine thermo-rétractable ou fuite est un signe de mauvaise utilisation de la batterie)
- Ne jamais essayer de charger une batterie présentant des signes de faiblesse.
- Ne jamais démonter une batterie ou couper les fils de connexion.
- Si les fils de connexion deviennent très chauds, c'est qu'il y a probablement un problème avec votre modèle, variateur de vitesse ou moteur. Trouvez et corrigez le problème avant de remplacer la batterie et de réessayez. Ne jamais charger la batterie sans surveillance.
- Toujours charger loin de produits inflammables et sur une surface non inflammable (en cas où la batterie deviendrait très chaude).
- S'IL VOUS PLAÎT SE REFERER A LA MANIPULATION DETAILLEE DES BATTERIES LIPO

### BATTERIE LIPO – CONSIGNES DE SECURITE ET DE MANUTENTION POUR L'UTILISATEUR.

- Lire toutes les consignes de sécurité avant de charger ou d'utiliser vos batteries la première fois.
- Les batteries LiPo requiert une charge et une attention totalement différente des batteries NiCd ou NiMh. Une utilisation abusive peut provoquer un incendie, des blessures et/ou des dommages à la propriété. L'acheteur assume toute la responsabilité et le risqué associé à l'utilisation de batteries Lithium-Polymer (LiPo). Retourner immédiatement la batterie non utilisée si vous n'êtes pas d'accord avec ces termes.

### Directives et avertissements généraux:

1. Utiliser un chargeur spécifique pour Lithium Polymer ! Ne pas utiliser un chargeur pour NiCd ou NiMh.
2. Ne JAMAIS charger sans attention. Toujours charger dans un sac de charge ou une boîte en métal avec un couvercle et loin de matériaux inflammables.
3. Durant le processus de charge surveiller que les cellules ne gonflent pas et ne sont pas ballonnées. Si cela arrive déconnecter immédiatement le chargeur et placer les batteries dans un lieu ignifugé pendant 15 minutes. NE PAS TENTER DE RECHARGER CES BATTERIES.
4. Un court-circuit peut causer une décharge rapide avec de forts courants. Eviter les court-circuits, et soyez conscients que vos bijoux peuvent en provoquer.
5. Toute batterie Lithium Polymer impliquée dans un accident doit être retirée et observée dans un espace ignifugé pendant 15 minutes avant de continuer à l'utiliser ou la charger.
6. Si vous re-câblez la batterie, re-câbler les fils un à la fois. Ne pas couper les deux fils. Ne pas court-circuiter sur vos outils.
7. Ne pas exposer vos batteries pendant de longues périodes au soleil.
8. Ne pas tenter d'altérer ou d'ouvrir le boîtier LiPo. La coque est une protection contre les gonflements possibles de la batterie.

### Avant la charge:

Inspecter visuellement la batterie, fils, connecteurs, si la gaine thermo rétractable n'est pas endommagée, un gonflement ou tout autre dommage. Ne pas charger le pack s'il est endommagé.

### Processus de charge:

1. NE JAMAIS charger sans attention.
2. Charger en dehors d'en endroit contenant des matériaux inflammables et dans un sac LiPo ou une boîte en métal avec un couvercle.
3. Laisser refroidir le pack avant de le charger.
4. Utiliser l'étiquette de la batterie pour régler la tension et le nombre de cellule sur le chargeur.
5. NE pas charger à plus de 5C. (Exemple, charger un pack de 1000mAh à 5A MAX)

En cas d'élimination d'une batterie procéder comme suit: Immerger la batterie dans un container remplis avec environ 10litres d'eau salée (une tasse de sel pour 10L). Laisser la batterie immerger pendant 2 semaines, cela permettra de décharger la batterie lentement et sûrement jusqu'à ce que le voltage soit à zéro ce qui permettra d'éliminer tout risqué de réaction chimique. Il peut ensuite être déposé dans un bac de recyclage.



## Fonctionnalités

- Entièrement étanche à l'eau et à la poussière. L'ESC fonctionne correctement même sous l'eau pour de courtes durées. (Merci d'enlever le ventilateur quand la voiture roule dans l'eau, et après utilisation, merci de sécher l'ESC et les connectiques pour éviter l'oxydation.)
- Spécialement conçu pour les voitures et les camions RC, il délivre un très bon couple et donc une très bonne accélération à la voiture. L'ensemble contrôlé pour délivrer la puissance sur toute la plage.
- Fonctionne avec les moteurs brushless sensorless (sans capteurs)
- Deux modes de roulage (Mode : Marche avant + frein & mode : Marche avant/Marche arrière et frein)
- Fonction de freinage ABS proportionnelle avec 4 niveaux de puissance du frein et 8 niveaux de puissance du frein moteur.
- Quatre modes de démarrage (Punch) de Soft à Très agressif sont disponibles pour s'adapter à tous les châssis, pneus et circuits.
- Multiplés protections : Protection en cas de tension trop faible pour les batteries LiPo et NiMh / Protection de température / Protection en cas de perte de signal / Protection en cas de blocage moteur.
- Programmation facile à l'aide du bouton SET de l'ESC et également compatible avec optionnels la carte de programmation LED

## [SPÉCIFICATIONS]

**MK2RS**

Modèle	WP-S16-RTR	WP-S10C-RTR	WPà-S10D-RTR WP-S10DS-RTR	WP-S10E-RTR	WP-10BL50-RTR (version avec l'esc inclus)	WP-10BL60-RTR
Intensité continue / Pic	25A/90A	45A/260A	60A/390A	45A/220A	50A/300A	60A/390A
Car Applicable	0.005 ohm	0.012 ohm	0.0007 ohm	0.0012 ohm	0.0010 ohm	0.0012 ohm
Résistance	1/18, 1/16th scale	1/10th scale on-road and off-road				
Limite moteur	-LiPo 2S -NiMh 6 éléments	Piste : >= 12T Tout-terrain : >= 18T Taille moteur : 2040	Piste : >= 5.5T Tout-terrain : >= 9T Taille moteur : 3650	Piste : >= 9T Tout-terrain : >= 12T Taille moteur : 3650	Piste : >= 8T Tout-terrain : >= 11T Taille moteur : 3650	Piste : >= 5.5T Tout-terrain : >= 9T Taille moteur : 3650
	-LiPo 3S -NiMh 9 éléments	Piste : >= 18T Tout-terrain : >= 24T Taille moteur : 2040	Piste : >= 8.5T Tout-terrain : >= 13T Taille moteur : 3650	Piste : >= 12T Tout-terrain : >= 18T Taille moteur : 3650	Piste : >= 11T Tout-terrain : >= 14T Taille moteur : 3650	Piste : >= 8.5T Tout-terrain : >= 13T Taille moteur : 3650
Batteries	4 à 9 éléments NiMh ou 2 à 3S LiPo					
Tension d'alimentation du ventilateur d'origine (*Note 1)	Sans ventilateur	5V	5V	5V / 7.4V	5V	5V
Puissance du BEC	6V / 1A	6V / 2A (Mode Linéaire)			6V / 3A (Mode interrupteur)	
Port de programmation	Câble RX	Multiplexé sur le port du ventilateur				
Dimensions / Poids	36x28x21 / 38g	49x34x35/ 75g	WP-S10D-RTR: 49x34x35 / 75g WP-S10DSRTR: 49x32x41	48.5x38x32 / 90g	48.5x38x32 / 90g	48.5x38x32 / 90g

\*Note 1 :

- Le ventilateur installé sur les contrôleurs WP-S16-RTR / WP-S10C-RTR / WP-S10D-RTR / WP-S10DS-RTR / WP-S10E-RTR sont alimentés directement grâce à la batterie d'alimentation générale. Et un ventilateur 5V ne peut être monté qu'avec une alimentation à partir d'une LiPo 2S ou d'une NiMh de 4 à 6 éléments. En effet, si vous utilisez une LiPo 3S ou une batterie NiMh de 7 à 9 éléments, le ventilateur utilisé doit être capable de fonctionner entre 7.4V et/ou 12V.
- Le ventilateur installé sur les contrôleurs WP-10BL50-RTR / WP-10BL60-RTR est alimenté par le BEC intégré, et la tension reste donc constante à 5V et la question de la tension ne se pose pas.
- A noter que si vous utilisez le contrôleur dans l'eau ou la pluie, pensez à bien démonter le ventilateur.

## Commencer à utiliser votre nouveau contrôleur

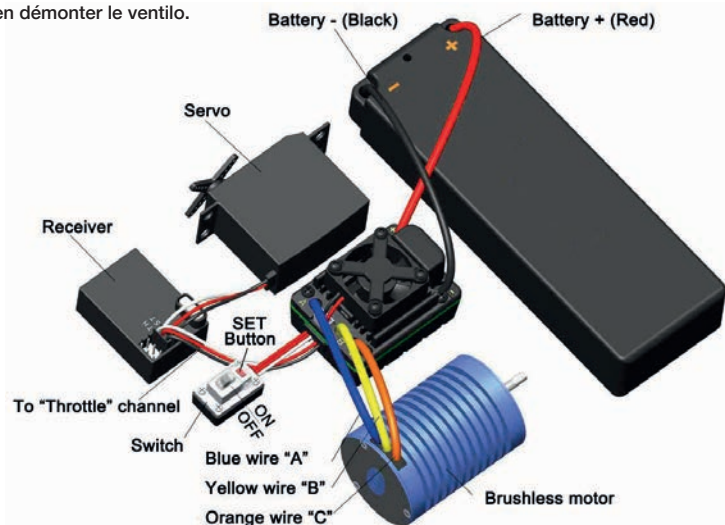
- Connecter le contrôleur, le moteur, le récepteur, la batterie et le servo en suivant le schéma ci-contre

Les câbles + et - du contrôleur doivent être connectés à la batterie. Les câbles #A, #B et #C doivent être connectés au moteur. Le bouton SET permet de programmer le contrôleur. Le câble de contrôle du contrôleur (ensemble de fils noir, rouge et blanc) doit être connecté sur le port des gaz du récepteur (généralement la voie 2).

Les câbles #A, #B et #C du contrôleur peuvent être connectés au moteur sans se préoccuper du sens.

Si le moteur tourne dans le mauvais sens, il vous suffit d'inverser 2 de ces 3 câbles.

Note : Vous pouvez aussi utiliser le paramétrage de la télécommande afin d'inverser la commande des gaz et ainsi faire tourner le moteur dans le sens inverse. L'opération réalisée, pensez à bien calibrer de nouveau la plage du contrôle des gaz.





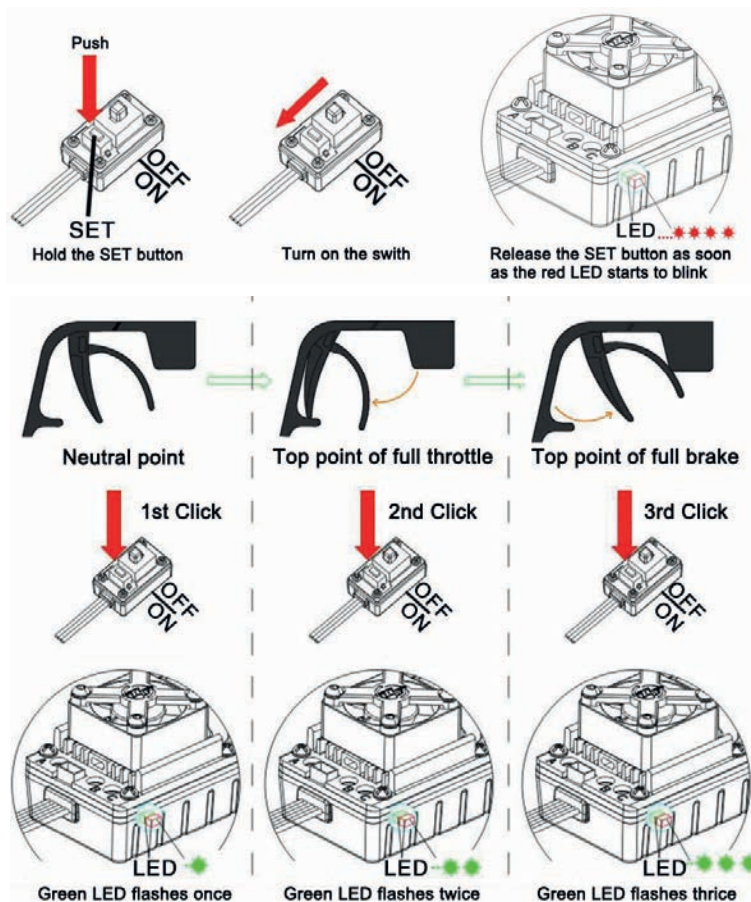
## 2. Réglage de la plage du contrôle des gaz (Calibration de la commande des gaz)

Afin d'assigner correctement la courbe de la gâchette des gaz au contrôleur, vous devez calibrer la plage de la commande. Cette calibration doit être effectuée lorsque vous utilisez un nouveau contrôleur, une nouvelle télécommande ou lorsque vous touchez aux réglages de : position du neutre de la commande des gaz ou de l'ATV / EPA (fin de course). Sinon le contrôleur ne peut pas fonctionner correctement. Trois points doivent être enregistré : la butée vers l'arrière (marche avant), la butée vers l'avant (marche arrière) et le neutre. Les schémas ci-dessous présentent comment effectuer la calibration avec une télécommande Futaba.

- A) Eteindre l'ESC, allumer la télécommande, inverser (REV) la commande des gaz sur la télécommande, régler le débattement (l'EPA et l'ATV) de la commande des gaz sur 100% et désactiver la fonction d'ABS sur la télécommande. (\*Note2)
- B) Rester appuyer sur le bouton SET et allumer le récepteur. Lorsque la LED rouge commence à clignoter, relâcher le bouton SET. (Si besoin, référez-vous au schéma ci-contre).

- C) Régler les 3 points en suivant la procédure indiquée sur le schéma.
1. Point neutre
  2. Fin de course de gâchette vers l'arrière (marche avant)
  3. Fin de course de gâchette vers l'avant (marche arrière)
- D) Une fois la calibration terminée, le moteur peut être démarré après 3 secondes.

Note 2 : Si vous ne relâchez pas le bouton SET une fois que la LED rouge commence à clignoter, l'ESC va entrer en mode programmation. Dans ce cas, veuillez éteindre l'ESC et reprendre la procédure afin de calibrer la commande des gaz en suivant les étapes de A à D.



## 3. Description du statut de la LED en fonctionnement normal

- Lorsque la gâchette des gaz est au neutre, ni la LED rouge ni la LED verte devraient être allumées
- Lorsque la voiture avance, la LED rouge est allumée et la LED verte s'allume lorsque la gâchette des gaz est à fond (100%)
- Lorsque la voiture freine, la LED rouge est allumée et la LED verte s'allume lorsque la gâchette des gaz est à fond sur le frein (100%)
- Lorsque la voiture recule, la LED rouge est allumée

### Sonnerie de l'alarme

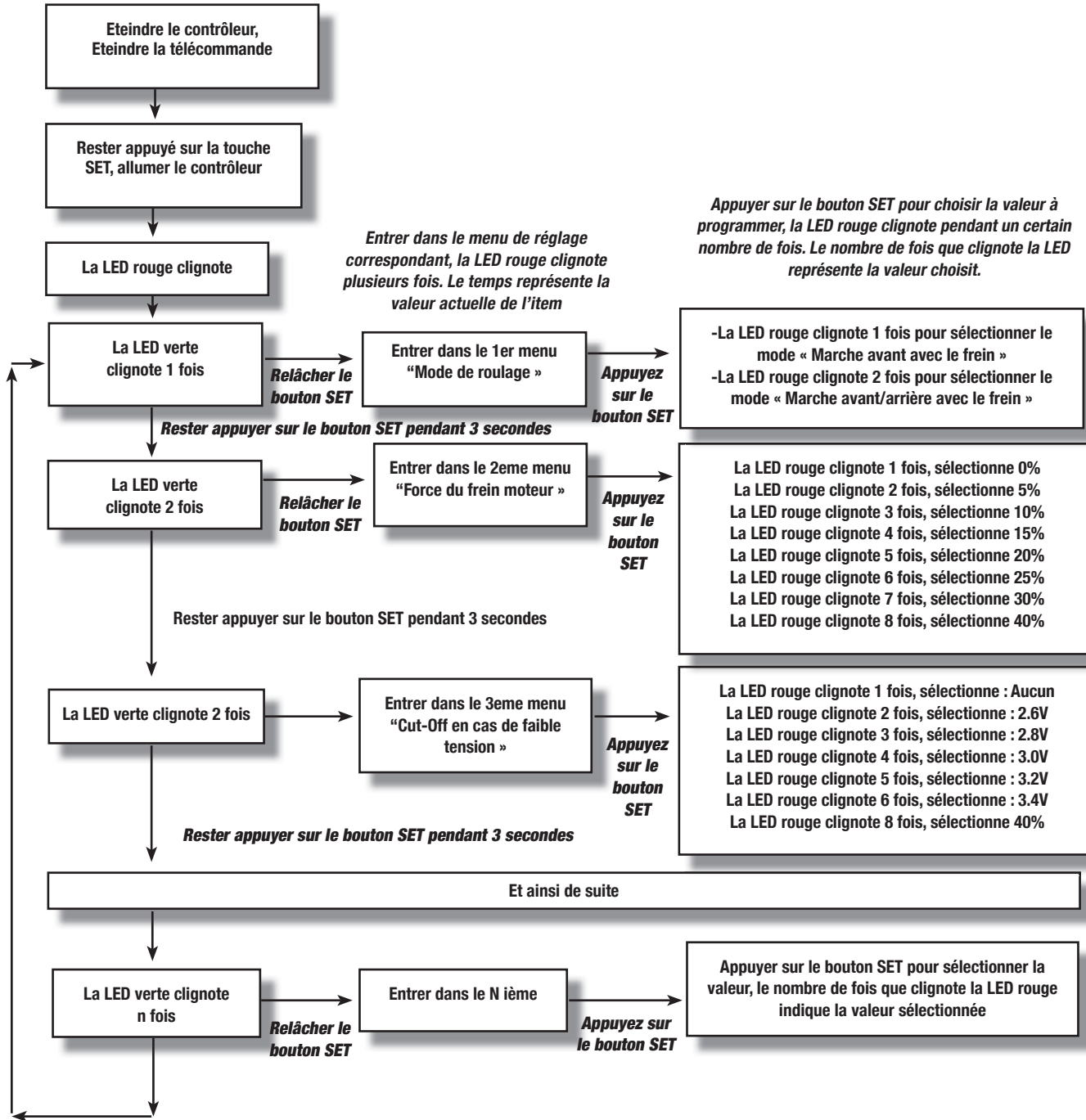
- Sonnerie d'alerte en cas de tension en entrée du contrôleur anormale : Lorsque le contrôleur est allumé, il commence par vérifier la tension en entrée. Si elle est en dehors de la plage supportée, l'alarme émise pourra être associée à : "beep-beep-, beep-beep-, beep-beep-" (A noter que chaque beep-beep- sera espacé de 1 seconde)
- Sonnerie d'alerte en cas de signal anormal de la gâchette des gaz : Lorsque le contrôleur est allumé, il commence par vérifier la tension en entrée. Lorsque le contrôleur ne détecte pas de signal sur la commande des gaz, l'alarme émise pourra être associée à : "beep-, beep-, beep-" (A noter que chaque beep- sera espacé de 2 secondes)

### Fonctionnalités de protection

- Protection contre la faible tension de la batterie : Si la tension d'une batterie LiPo est en dessous de la limite définie pendant plus de 2 secondes, le contrôleur va stopper d'envoyer de la puissance au moteur. Veuillez noter que le contrôleur ne peut pas être redémarré si la tension de chaque cellule de la LiPo est inférieure à 3.5V.  
Pour les batteries NiMh, si la tension globale du pack est supérieure à 9.0V mais inférieure à 12.0V, la batterie sera considérée comme une LiPo 3S et non une NiMh. Si la tension est inférieure à 9.0V, la batterie sera considérée comme une LiPo 2S. Par exemple, si la tension d'un pack NiMh est de 8.0V, et que la limite est réglée sur 2.6V par élément, le pack sera considéré comme une LiPo 2S. La tension de cut-off (coupure de protection) sera alors de  $2.6 \times 2 = 5.2V$
- Protection contre la surchauffe : Lorsque la température du contrôleur est supérieure à la limite fixée en usine pendant plus de 5 secondes, le contrôleur va couper la puissance. Pour les courses, vous pouvez désactiver cette fonction de protection contre la surchauffe.



1. Protection contre la protection en cas de perte du signal : Le contrôleur va couper la puissance si le signal est perdu pendant plus de 0.2 secondes



Note :

- Dans la procédure de programmation, le moteur va émettre un beeps à chaque fois que la LED clignote
- Le 5ème menu programmable est représenté par 5 beeps court
- Au sein de chaque menu l'option 5 est cependant représentée par un beep long afin de l'identifier plus facilement.

Par exemple la LED va clignoter :

- o Pour l'option 5 : Un flash long (Le moteur émet un B---)
- o Pour l'option 6 : Un flash long + un flash court (Le moteur émet un B---B)
- o Pour l'option 7 : Un flash long + deux flash court (Le moteur émet un B---BB)
- o Pour l'option 8 : Un flash long + trois flash court (Le moteur émet un B---BBB)



## 2. Liste du menu de programmation

Programmable Éléments	Valeur programmable							
	1	2	3	4	5	6	7	8
1. Mode de fonctionnement	Marche avant avec frein	Marche avant/marche arrière avec frein						
2. Force de freinage	0%	5	10	15	20	25	30	40
3. Basse tension Seuil de coupure	Non-protection	2,6 V /Cell	2,8 V /Cell	3,0 V /Cell	3,2 V /Cell	3,4 V /Cell		
4. Mode de démarrage (Punch)	Niveau 1 (doux)	LeVel2	Niveau/3	Levl4 (très agressif)				
5. Force de freinage maximale	25	50	75%	100				

**Attention :** Les options en gras présente les réglages par défaut

### 3. Description des menus

3.1. **Mode de roulage :** Avec le mode « Marche avant avec frein », la voiture peut avancer et freiner mais ne peut pas reculer. Ce mode correspond notamment aux compétitions. Le mode « Marche avant/arrière avec frein », la voiture peut avancer, reculer et freiner. Ce mode correspond notamment aux entraînements.

**Note :** Le mode « Marche avant/arrière avec frein » utilise la méthode du « Double click » pour faire reculer la voiture : Lorsque vous freiner pour la première fois après une accélération, le contrôleur freine le moteur mais ne recule pas. Pour le faire reculer, vous devez freiner une nouvelle fois (d'où le double-click). A noter que le moteur doit être à l'arrêt pour pouvoir commencer à reculer. L'avantage de ces deux étapes est d'éviter de reculer de manière non voulue.

3.2. **Puissance du frein moteur :** Régler la puissance du frein moteur appliquée lorsque la gâchette des gaz est au neutre.

3.3. **Cut-Off/protection contre la faible tension :** Cette fonction permet d'éviter de trop décharger une batterie LiPo. Le contrôleur contrôle en permanence la tension en entrée et coupe l'alimentation du moteur dès que la tension d'entrée et donc de la batterie descend sous un certain seuil. Ce menu permet justement de régler ce seuil de déclenchement. Pour plus de précision sur le contrôleur lors de la coupure. Le contrôleur réduit la puissance de 50% pendant 2 secondes puis coupe complètement l'alimentation après 10 secondes.

3.4. **Mode de démarrage (Punch) :** Réglable du niveau 1 (Progressif) au niveau 4 (Très agressif), cela vous permet de régler le mode de démarrage qui correspond le mieux à votre pilotage. A noter que si vous utilisez le niveau 4, vous devez utiliser une bonne batterie avec un niveau d'intensité de décharge important, sinon vous ne serez pas limité par le contrôleur ou le moteur, mais par la batterie. D'ailleurs si vous sentez que le moteur tremble et ou vibre, cela peut justement être du par une batterie avec un niveau d'intensité de décharge trop faible, veuillez alors la remplacer par une batterie plus puissante ou modifiez le rapport de réduction du moteur

3.5. **Puissance maximale du freinage :**

Le contrôleur apporte un freinage proportionnel. La force du frein est donc fonction de la position de la gâchette des gaz. La force maximale du freinage correspond donc à la puissance de freinage délivrée lorsque la gâchette des gaz est en butée. Une puissance de freinage importante devrait réduire le temps de freinage. Cependant attention à ce que la transmission de la voiture puisse supporter le freinage délivré.

### 4. Remettre les réglages aux valeurs d'usine

Pour remettre les paramètres sur leur réglage par défaut, c'est très simple, vous pouvez le faire à tout moment tant que la gâchette des gaz est au neutre (et que vous n'êtes pas en mode de calibration ou de programmation). Appuyez alors sur le bouton SET pendant plus de 3 secondes, les LEDs rouge et verte vont clignoter en même temps, ce qui signifie que les paramètres ont été réinitialisés à leur valeur par défaut. Afin de compléter la procédure, veuillez redémarrer le contrôleur.

#### Accessoires Optionnels

Les options suivantes sont disponibles :

1. **Un ventilateur 12V :** Le ventilateur haute tension est une option disponible dans le cas où vous utilisez une batterie LiPo de 3S ou une batterie NiMH de plus de 6 éléments.  
Attention : Veuillez noter que le ventilateur d'origine (5V) n'est prévu pour ne fonctionner qu'avec une LiPo 2S ou une batterie NiMH de 4 à 6 éléments. Veuillez donc à ne pas utiliser une batterie LiPo de 3S ou une batterie NiMH de plus de 6 éléments avec ce ventilateur de 5V.

#### 2. Carte de programmation avec affichage LED

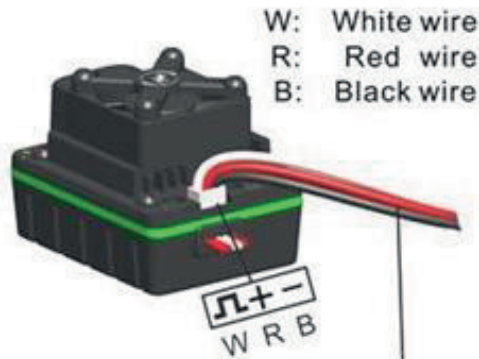
La carte de programmation est une option qui doit être achetée séparément. Son interface est simple d'utilisation. La programmation des paramètres devient alors plus simple et plus rapide avec cet appareil qui tient dans une poche.





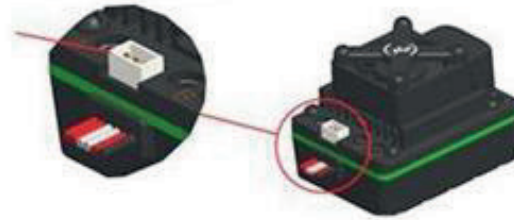
**Brancher la carte de programmation sur le port de programmation du contrôleur.**

- Pour le WP-S16-RTR, le port de programmation est multiplexé avec le câble du récepteur. Veuillez donc déconnecter le câble du récepteur afin de le brancher à la carte de programmation.
- Pour les WP-S10C, WP-S10D, WP-S10DS, WP-S10E, WP-10BL60, le port de programmation est multiplexé avec le port du ventilateur, veuillez alors débrancher le ventilateur et utiliser le câble de programmation pour vous brancher sur le port du ventilateur.



Connect to LED Program Box

**Cooling fan port**

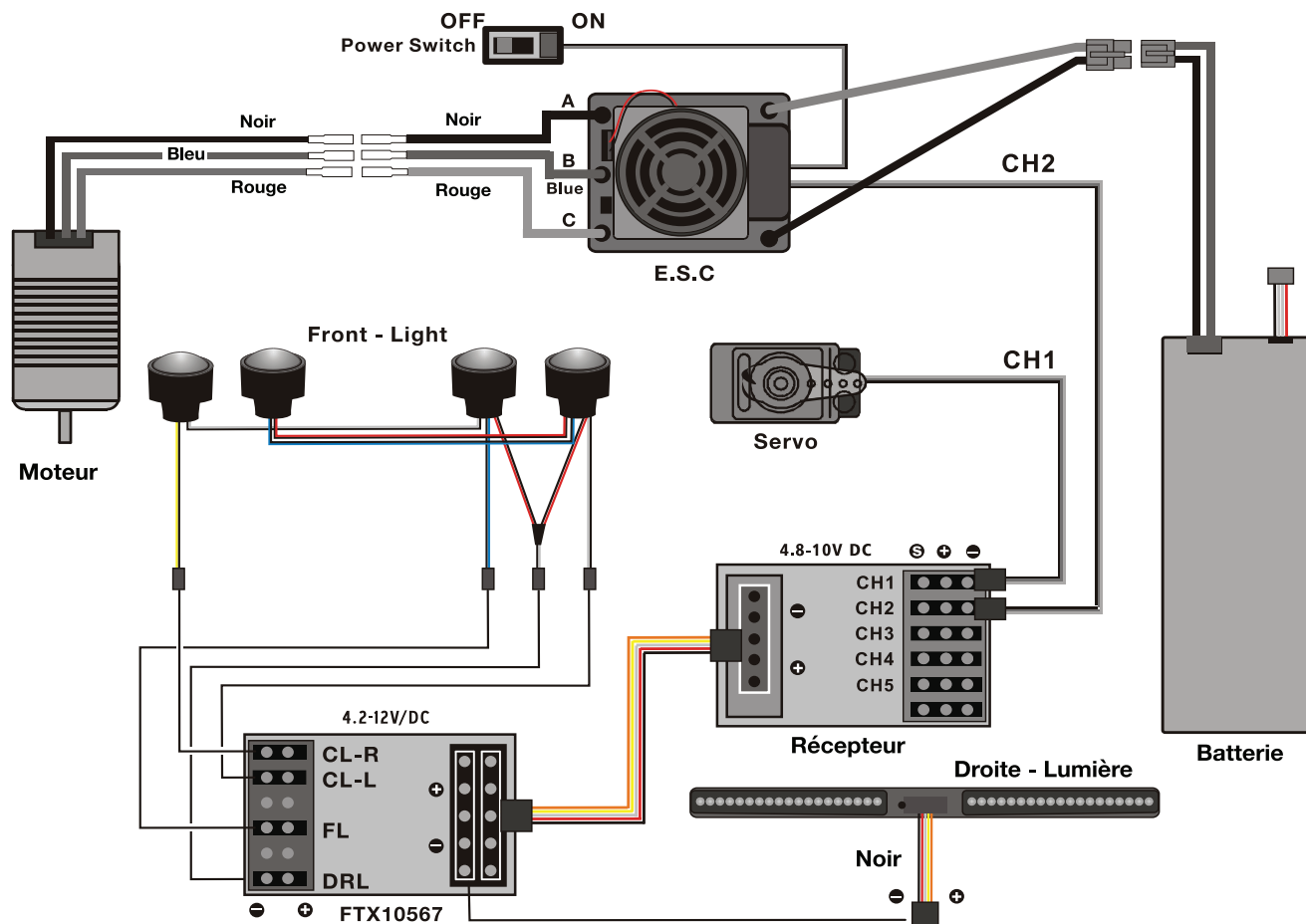


The cooling fan port is also a program port for the ESC

<b>Problème</b>	<b>Raison possible</b>	<b>Résolution</b>
Une fois allumé, le moteur ne fonctionne pas et aucun son n'est émis	Le branchement entre le contrôleur et la batterie ou le contrôleur et le moteur n'est pas correct	Vérifier les branchements, remplacer les prises
Une fois allumé, le moteur ne fonctionne pas, une tonalité est émise : "beep-beep-, beep-beep-" avec 1 seconde entre chaque	La tension d'entrée est anormale (trop faible ou trop élevée)	Vérifier la tension de la batterie
Une fois allumé, le moteur ne fonctionne pas, une tonalité est émise : "beep-, beep-, beep-" avec 2 secondes entre chaque	Le signal de la commande des gaz est anormal	Vérifier la télécommande et le récepteur. Vérifier le câble de la commande des gaz
Le moteur s'arrête soudainement lors du roulage	Le point neutre de la gâchette des gaz sur la télécommande a été modifié	Calibrer la plage de la commande des gaz sur le contrôleur ou ajuster le trim des gaz sur la télécommande pour retrouver le point neutre réglé
	Vous devez modifier le câble entre le moteur et le récepteur	Inverser n'importe quel câble du moteur avec un autre
Le contrôleur s'arrête de façon aléatoire ou redémarre ou fonction de façon irrégulière	Certains câblages ne sont pas en bon état	Vérifier tous les branchements : sur la batterie, sur le câble de la commande des gaz, sur le moteur, etc.
	Il y a un important champ électromagnétique à l'endroit où vous évoluez	Redémarrer le contrôleur. Si cela ne change rien, changer d'endroit pour voir si le problème vient bien d'un champ électromagnétique trop important

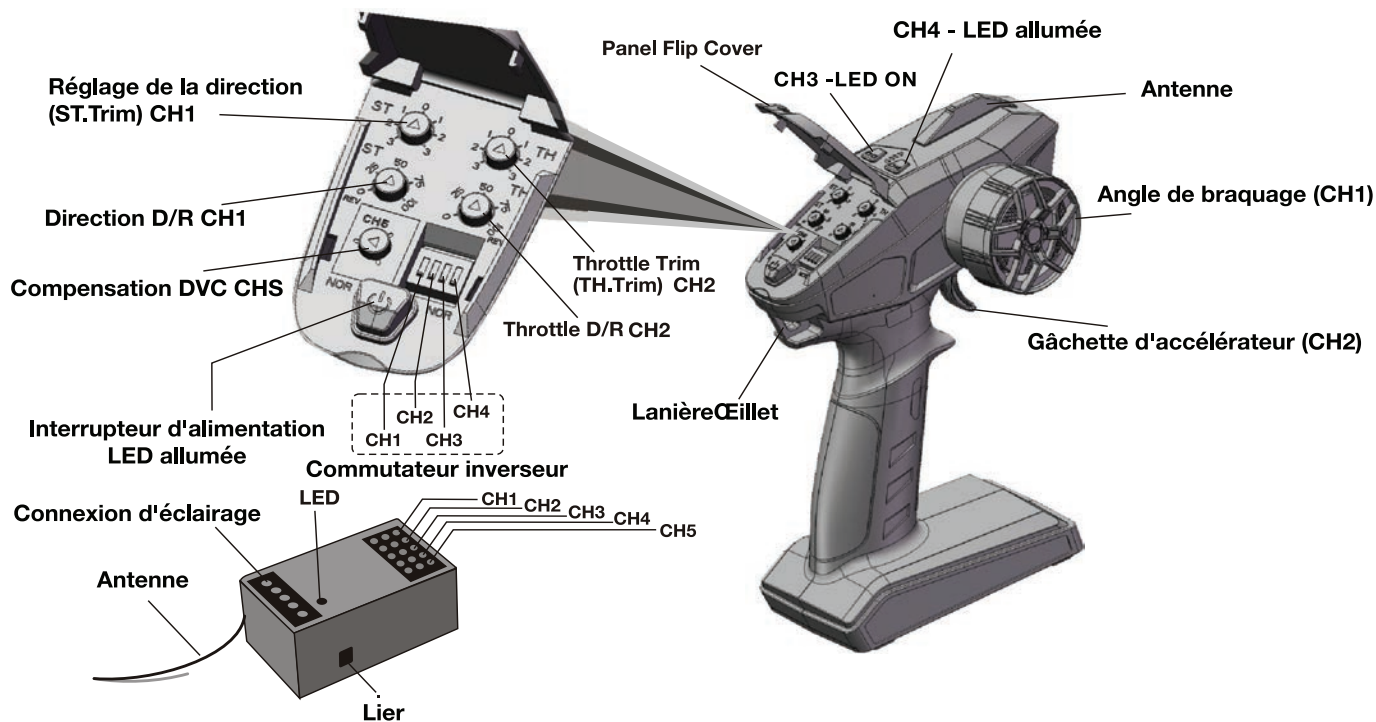


### Electric Scheme of installation



Remarque : veuillez connecter le groupe d'éclairage conformément au schéma de câblage. Si le voyant ne s'allume pas, veuillez vérifier le connecteur et ajuster les ports positif et négatif. Le groupe d'éclairage ne peut pas être endommagé lorsque les pôles positif et négatif sont dans une position incorrecte.

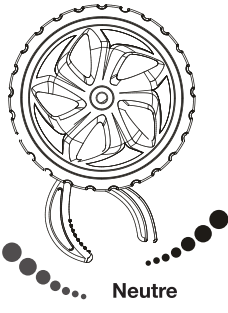
### 2.4GHZ Radio System







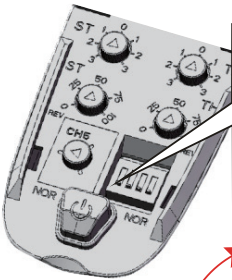
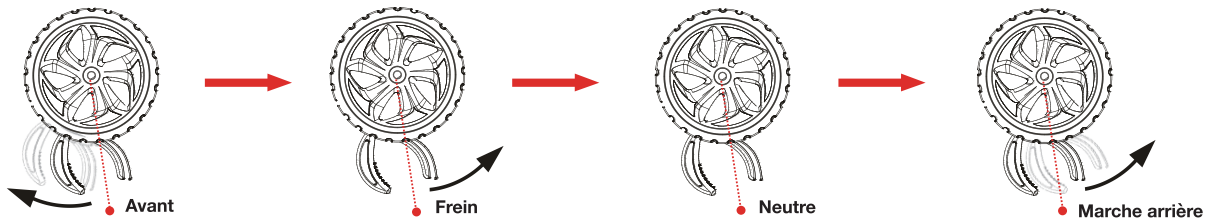
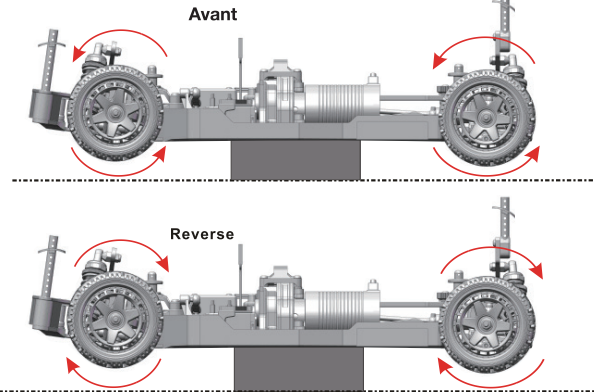
Tirez la gâchette pour avancer, poussez-la pour freiner, centrez la gâchette, puis poussez-la à nouveau pour reculer.



Gâchette d'accélérateur, a une course totale de 12 degrés, 12,5 degrés vers l'avant et 12,5 degrés vers l'arrière.

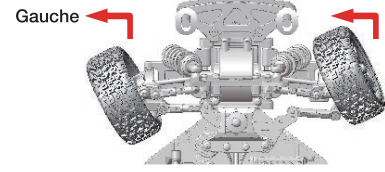
Neutre

Plus vous tirez ou poussez la gâchette, plus l'accélération sera rapide.



**ST.REV (CH1)**

- Le réglage de la direction (ST. Rev) permet d'inverser le sens du mouvement du servo.
- Les commutateurs ST.REV sont les boutons d'inversion pour CH1. Si le commutateur est en position haute, cela indique l'inversion, et en position basse, cela indique le fonctionnement normal.

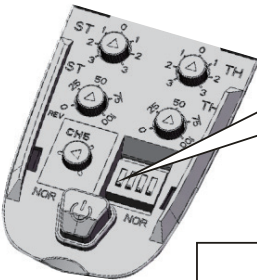
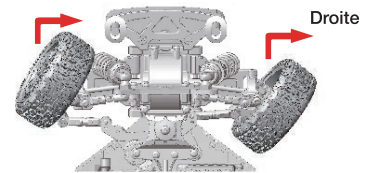


**À GAUCHE ANTI-HORLOGE**

Le véhicule tourne à gauche lorsque le volant est tourné vers la gauche (Steering Rev. en position normale).

Le véhicule tourne à droite lorsque le volant est tourné vers la droite (rotation de la direction en position arrière).

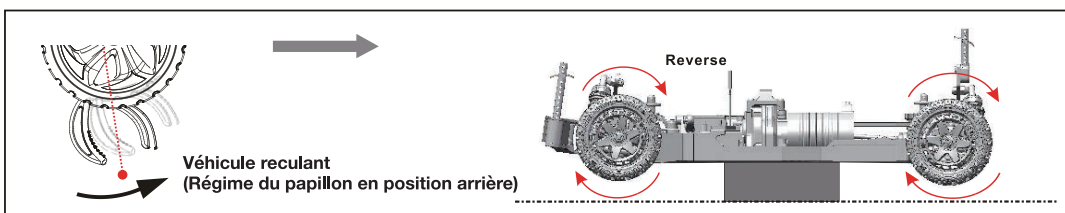
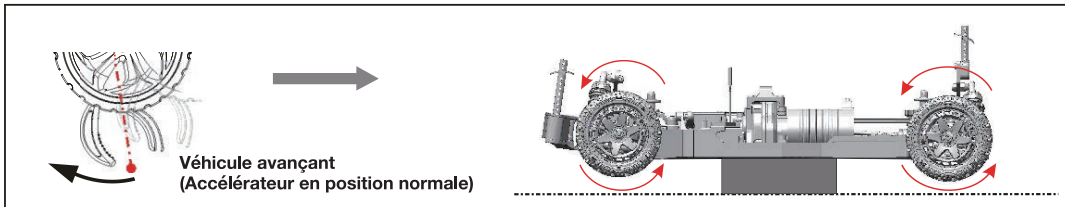
Droite (sens des aiguilles d'une montre)



**TH.REV (CH2)**

- Le commutateur TH.REV sert à inverser le sens de rotation du moteur.
- Les commutateurs TH.REV sont les boutons de marche arrière pour le canal 2. Si le commutateur est en position haute, cela indique la marche arrière, et en position basse, cela indique la marche normale.

**INVERSION DE CANAL**



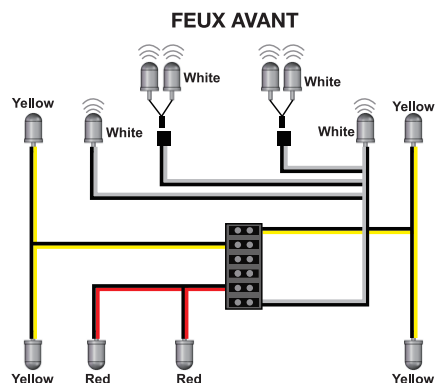
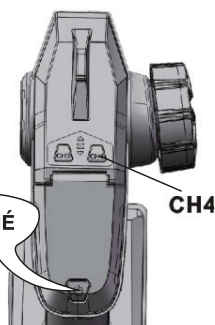
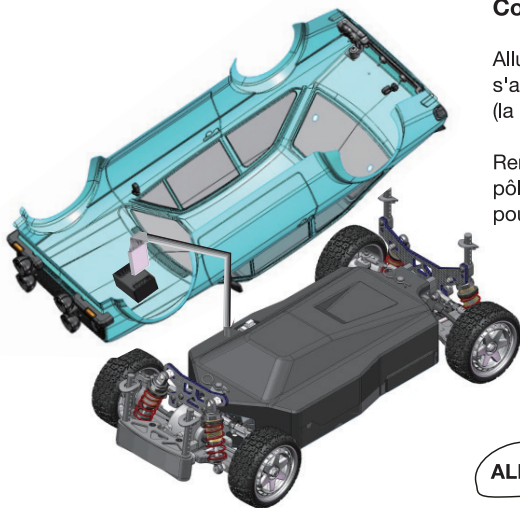


## Light Control Usage

**Comme indiqué sur l'image :  
Connectez correctement le fil d'éclairage et installez le boîtier.**

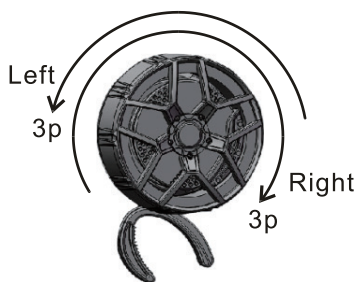
Allumez l'émetteur, puis allumez la voiture, appuyez sur le bouton CH4 (la LED CH4 s'allume), puis les feux avant et arrière s'allument. Appuyez à nouveau sur le bouton CH4 (la LED CH4 s'éteint), les feux avant et arrière s'éteignent.

Remarque : si les feux de la voiture présentent un dysfonctionnement, veuillez ajuster les pôles positif et négatif du connecteur d'éclairage et utiliser le bouton CH4 avant/arrière pour réparer.



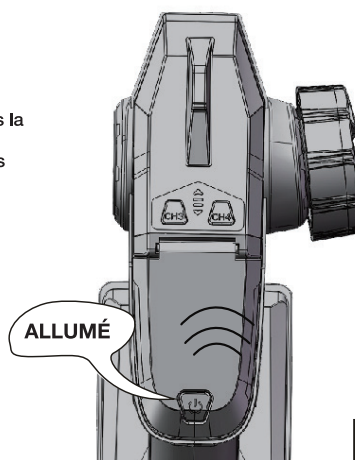
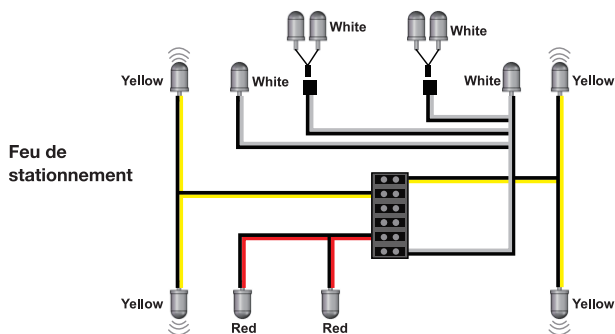
### • Commande des phares Interrupteur positif et négatif (CH4)

Dans les réglages d'usine, lorsque vous démarrez la voiture et appuyez sur le bouton CH4, les phares s'allument. Appuyez à nouveau sur le bouton CH4 pour éteindre les phares.



### • Feux de stationnement

Tournez la molette de l'émetteur trois fois vers la gauche ou vers la droite, le feu de détresse (clignotante) s'allume. Tournez à nouveau trois fois, la fonction flash est désactivée.



**Note**

Tournez la molette de l'émetteur vers la gauche ou vers la droite trois fois, le feu de détresse (clignotant) est activé. Tournez à nouveau trois fois, la fonction clignotante est désactivée.

**Once all the steps are done, your car is ready to run. Hope you enjoy the fun in driving it.**

Conseil : éteignez toujours le récepteur et l'émetteur lorsque vous ne les utilisez pas. Nettoyez la voiture avant de la remiser.

### Entretien du véhicule :

- 1). Veuillez retirer la fiche du bloc-batterie ou le retirer lorsque la voiture n'est pas utilisée.
- 2). Avant chaque utilisation, veuillez répéter les étapes ci-dessus et vérifier l'état de toutes les pièces afin de détecter toute usure excessive.
- 3). Évitez que la batterie inutilisée ne se décharge excessivement (il est recommandé de la maintenir à plus de 40 %) et conservez-la dans un endroit sec et frais, hors de portée des enfants.
- 4). Après chaque utilisation, vérifiez soigneusement l'état de toutes les pièces et réparez ou remplacez les pièces usées. Utilisez une brosse fine pour balayer le sable, la marne et autres saletés à l'intérieur du modèle, puis essuyez-le avec un chiffon doux.





## Eccentric Bushing Setup Guide

Les supports de suspension arrière Mk2RS Escort offrent une large plage de réglage pour la suspension arrière. En utilisant différentes combinaisons de bagues excentriques, vous pouvez obtenir des réglages précis pour l'anti-squat arrière, le pincement arrière, le centre de roulis arrière et la largeur de voie arrière. Veuillez consulter le tableau ci-dessous.

ANTI-SQUAT			ROLL-CENTER			TRACK WIDTH			TOE-IN		
RR	RF	(°)	RR	RF	(mm)	RR	RF	(mm)	RR	RF	(°)
		= 2°			= + 0.75mm			= + 1.5mm			= 3°
		= 3°			= 0mm			= 0mm			= 4°
		= 1°			= - 0.75mm			= - 1.5mm			= 2°
		= 3°									= 2°
		= 2°									= 3°
		= 4°									= 1°
		= 1°									= 4°
		= 2°									= 5°
		= 0°									= 3°

▲ La largeur de voie est directement influencée par la taille des roues et des pneus utilisés.

▲ A Les tableaux indiquent les valeurs de réglage en fonction de la position centrale et extérieure des douilles excentriques.

▲ Les bagues excentriques en position centrale permettent des incréments de réglage plus fins.

Exemple:

0(RR) - 0 (RF) = 2° 

0(RR) - 0.5 (RF) = 2.5° 

0(RR) - 1 (RF) = 3°

Les supports de suspension avant Mk2RS Escort en aluminium offrent une large plage de réglage pour la suspension avant. En utilisant différentes combinaisons de bagues excentriques, il est possible d'obtenir un réglage précis de l'anti-squat arrière, du pincement arrière, du centre de roulis arrière et de la largeur de voie arrière. Veuillez consulter le tableau ci-dessous.

KICK-UP			ROLL-CENTER			TRACK WIDTH			TOTAL CASTER=C-HUB CASTER+ KICK UP					
FF	FR	(°)	FF	FR	(mm)	FF	FR	(mm)	KICK-UP					
		= 9°			= + 0.75mm			= + 1.5mm	C-HUB CASTER	7	8	9	10	11
		= 8°			= 0 mm			= 0mm		6°	13	14	15	16
		= 10°			= - 0.75mm			= - 1.5mm	9°	16	17	18	19	20
		= 8°							Le carrossage est l'angle entre l'axe de pivotement de la direction et le plan vertical. Le carrossage est influencé non seulement par le carrossage du moyeu en C, mais aussi par l'angle de relevage avant par rapport au fond plat du châssis. Le tableau indique comment l'angle de relevage influe sur le carrossage total.					
		= 7°							Les Mk2RS Escort blocs de chasse d'origine sont de 9°, mais des blocs de 6° sont disponibles en option.					
		= 9°												
		= 10°												
		= 9°												
		= 11°												

▲ A La largeur de voie est directement influencée par la taille des roues et des pneus utilisés.

▲ A Les tableaux indiquent les valeurs de réglage à l'aide des positions des bagues excentriques.

▲ Les bagues excentriques en position centrale permettent des incréments de réglage plus fins.

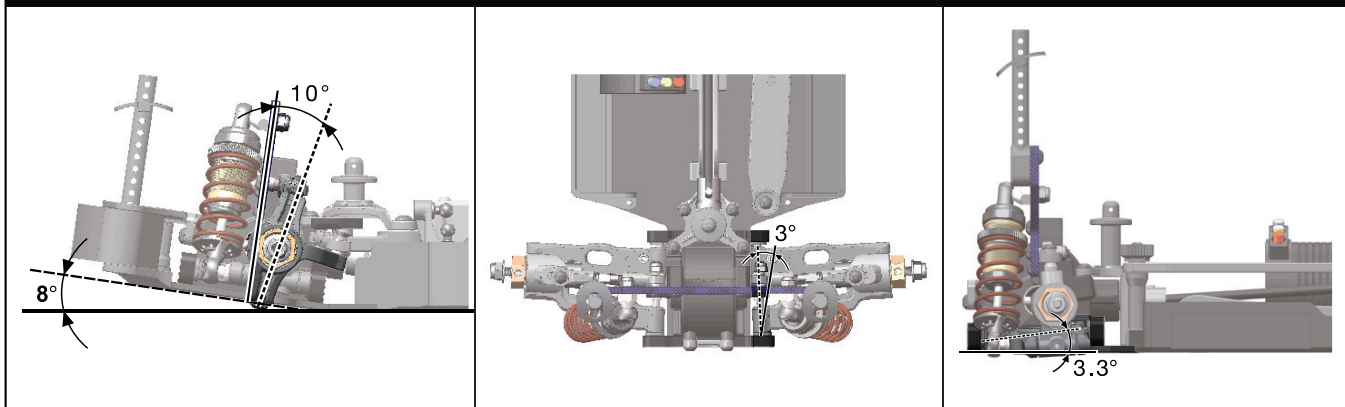
Exemple

0(FF) - 0(FR) = 9° 

0.5(FF) - 0(FR) = 9.5° 

1(FF) - 0(FR) = 10°

## SET-UP SHEET





### En route

Dépliez l'antenne passez sur ON la radio, tenez la voiture les roues en l'air, connectez les batteries puis allumez la voiture. Testez la voiture les roues en l'air pour vous assurer de son bon fonctionnement puis poser la voiture au sol et testez doucement son fonctionnement. Si la voiture ne va pas droit ajustez le trim de direction. Lors de la première utilisation accélérez doucement pour vous familiariser avec l'utilisation de la voiture.

### S'IL VOUS PLAÎT NOTE

**IMPORTANT :** Veuillez noter que ce véhicule n'est pas étanche et ne doit pas être exécuté dans des conditions mouillées ou humides où l'humidité pourrait pénétrer dans l'électronique.

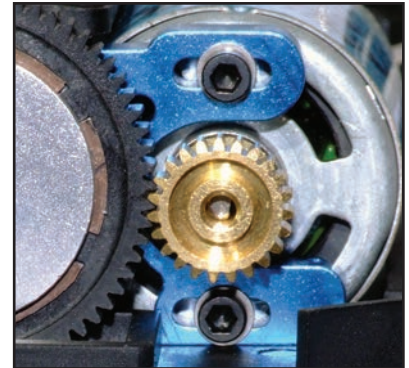
### Arrêt du modèle

Eteignez l'interrupteur du récepteur (voiture), éteignez ensuite l'interrupteur de la radio-commande puis repliez l'antenne. Débranchez ensuite les batteries et retirez celles-ci de la voiture.

Laissez les batteries refroidir avant des les recharger. Si vous possédez une seconde batterie déjà chargée, laissez le véhicule refroidir quelques minutes avant d'installer cette deuxième batterie.

### Entretien.

Vérifiez souvent que des vis ne sont pas absentes ou dévissées. Utilisez du frein filet pour tout remplacement de vis dans du métal. Vérifiez que les pièces en rotation sont bien libres (herbe , pierre etc ). Si ces pièces ne sont pas libres cela peut les endommager ou encore user le moteur ou le variateur. Enlevez les roues et vérifiez que rien ne s'est glissé derrière l'hexagone de roue et n'empêche une bonne liberté de la transmission. Si le moteur bouge ou est enlevé pour entretien/échange, vous devez refaire le réglage de l'entre dents. Pour cela devisez les vis moteur et bougez-le jusqu'à avoir un petit jeu fonctionnel entre le pignon moteur et la couronne. Si ce réglage est mal fait la transmission peut être bruyante mais aussi s'endommager. Les amortisseurs vont s'user plus vite si vous roulez dans des conditions poussiéreuses, remplacez l'huile ainsi que les joints pour conservé un bon amortissement.



### Solutions aux problèmes:

Durée de roulage très courte:	Vitesse lente:	Le moteur ou le variateur surchauffe:	Le moteur tourne mais la voiture n'avance pas:	Une portée courte ou aucun contrôle de la voiture:
Les batteries sont endommagées ou mal chargées.	Le moteur est sale ou les charbons usés.	La transmission n'est pas libre	La transmission est abîmée.	Les piles de la télécommande sont vides, les batteries de la voiture sont vides, l'antenne n'est pas dépliée, un fil est débranché, l'électronique est endommagée.
Le moteur est sale ou les charbons usés.		Le moteur est endommagé.	Le slipper est desserré, un cardant est cassé ou manquant.	

### Garantie

De part la nature de ce produit et l'utilisation potentiel, FTX garanti qu'il n'a pas défaut lorsque le modèle est neuf. FTX s'engage à réparer ou remplacer les composants défectueux gratuitement dans un délai de 30 jours à compter de la date d'achat. Cette garantie ne couvre pas l'usure normale, l'accident ou l'impact, les modifications, les dégâts des eaux (appareil n'étant pas étanche) le manque d'entretien ou de dommages causés par une mauvaise utilisation. La preuve de la date d'achat sera nécessaire lors des réclamations de garantie.

### Instructions pour la mise au rebut.

Ce produit ne doit pas être jeté avec les autres déchets. L'utilisateur doit le déposer dans un point de collecte et de recyclage des déchets. Pour plus d'informations sur l'endroit où vous pouvez déposer vos déchets, s'il vous plaît contacter votre municipalité, ou bien où vous avez acheté le produit.



CML DISTRIBUTION, SAXON HOUSE, SAXON BUSINESS PARK, HANBURY ROAD, BROMSGROVE, B60 4AD.

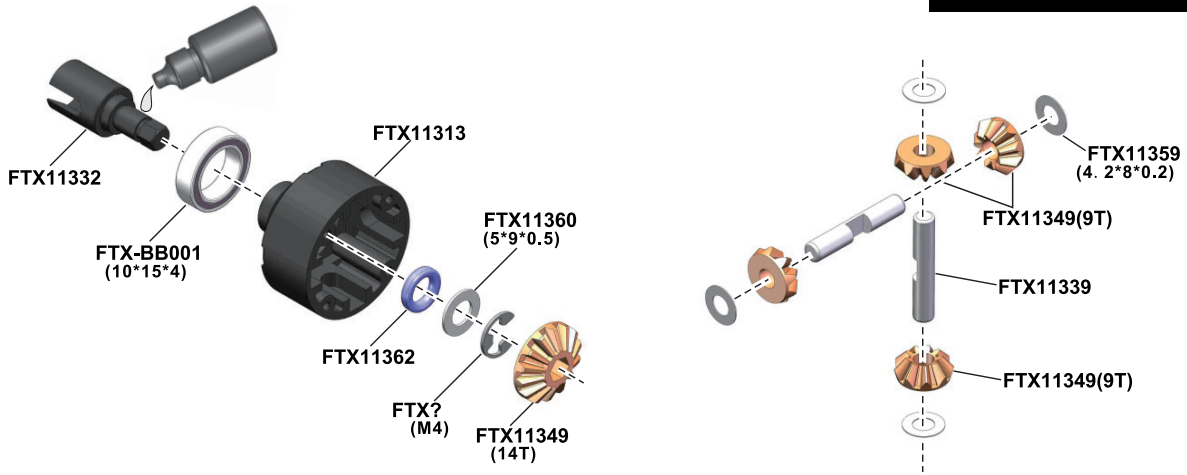
WEE/GB4215VX



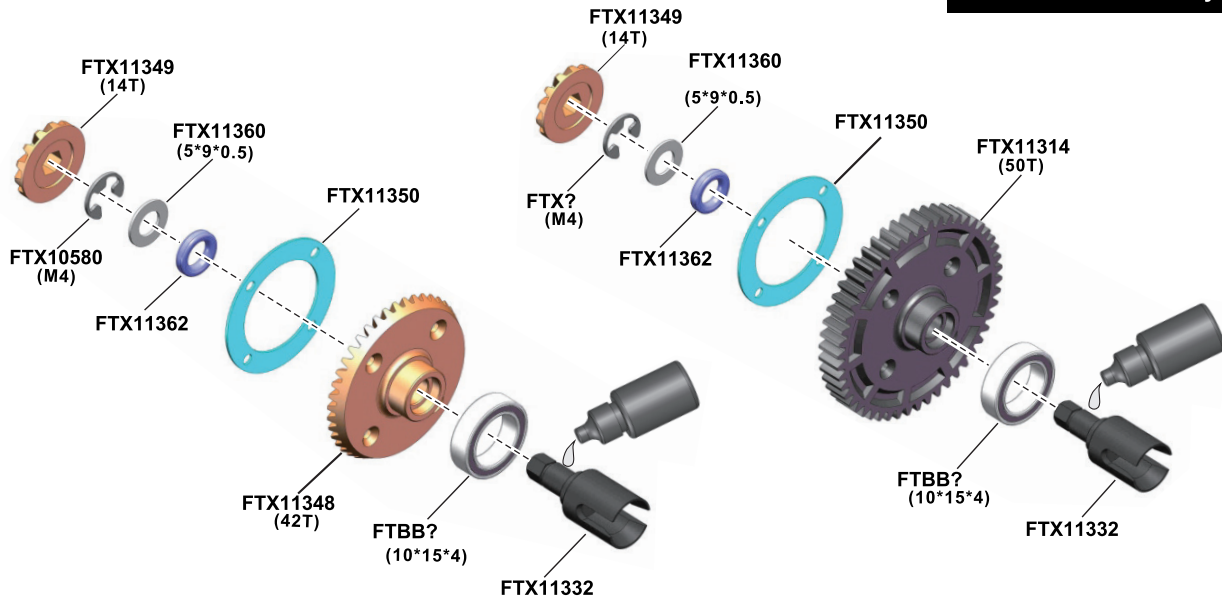


# EXPLODED PARTS DIAGRAMS

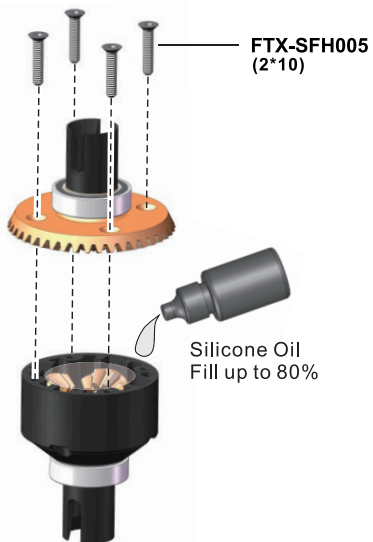
### Differential Assembly-1



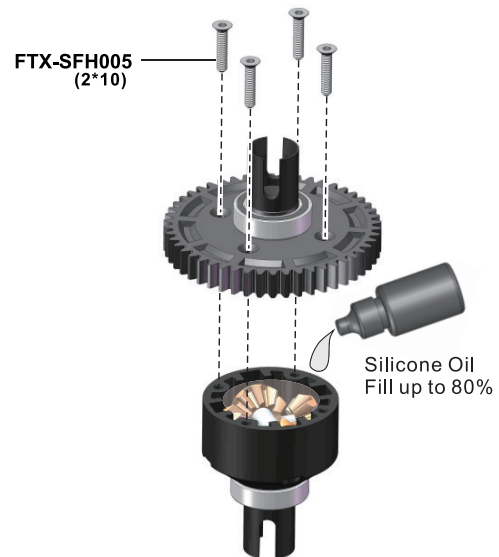
### Differential Assembly-2



### Differential Assembly-3

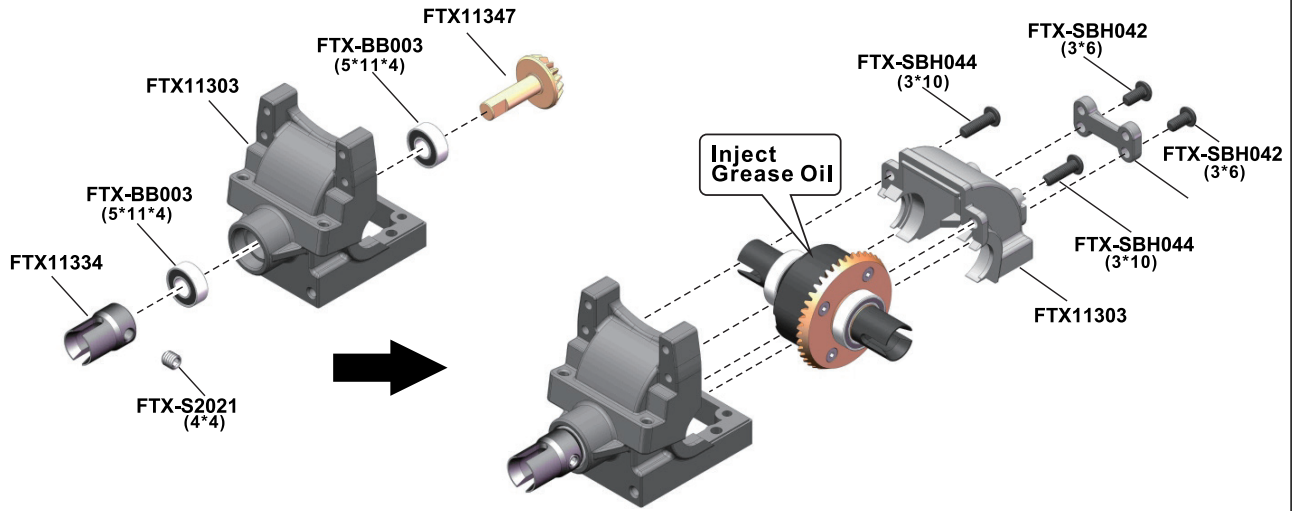


### Differential Assembly-4

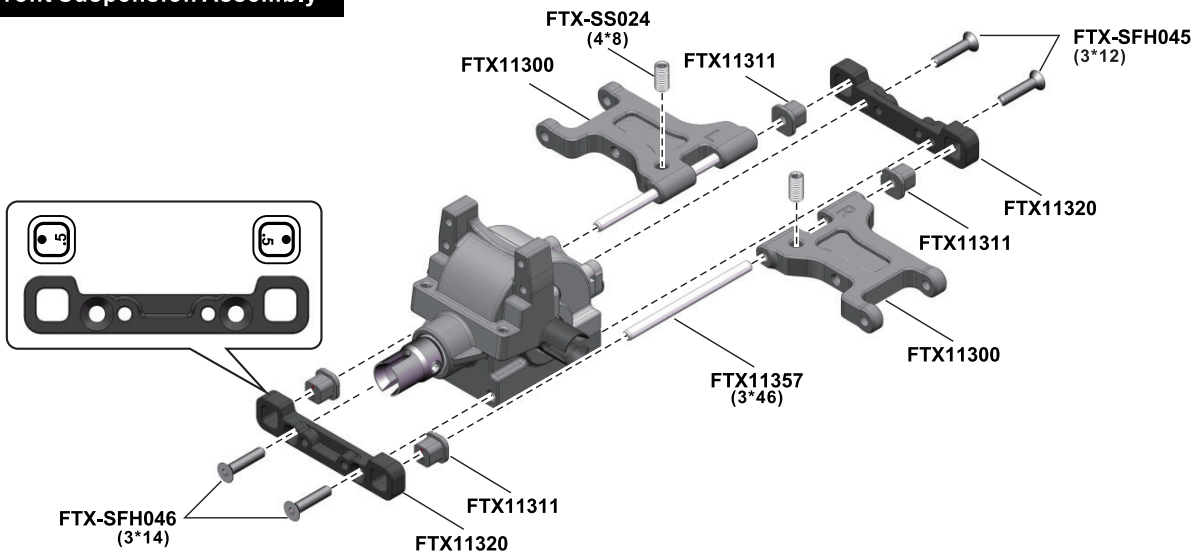




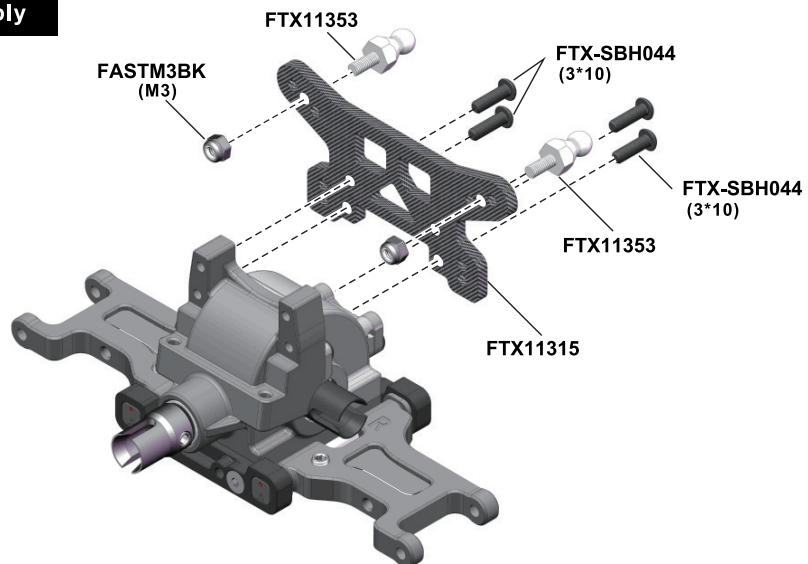
### Gear Box Assembly



### Front Suspension Assembly

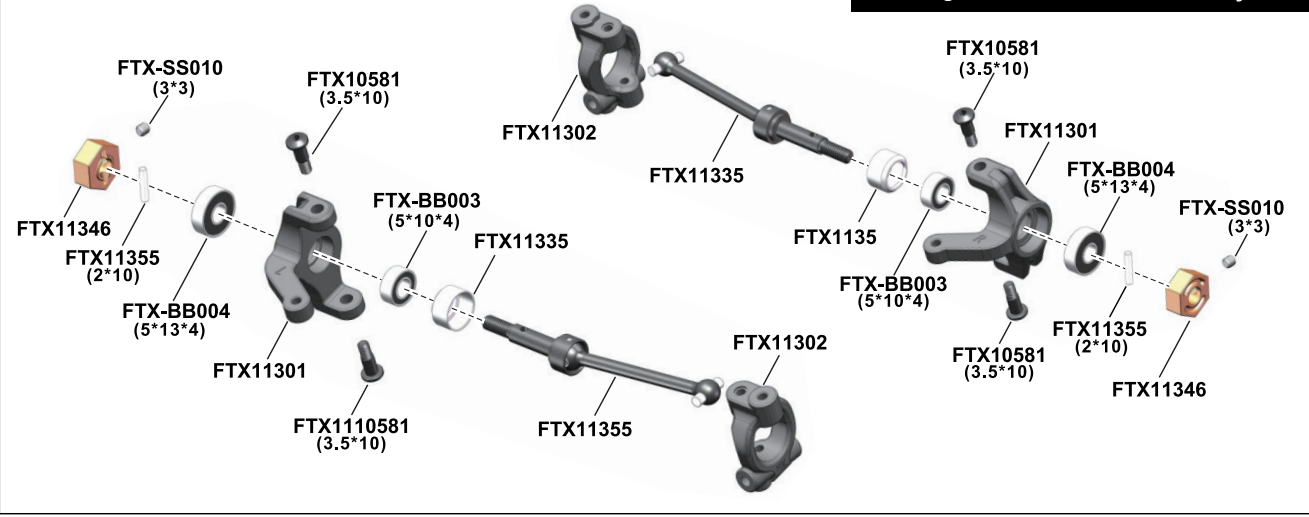


### Front Shock Tower Assembly

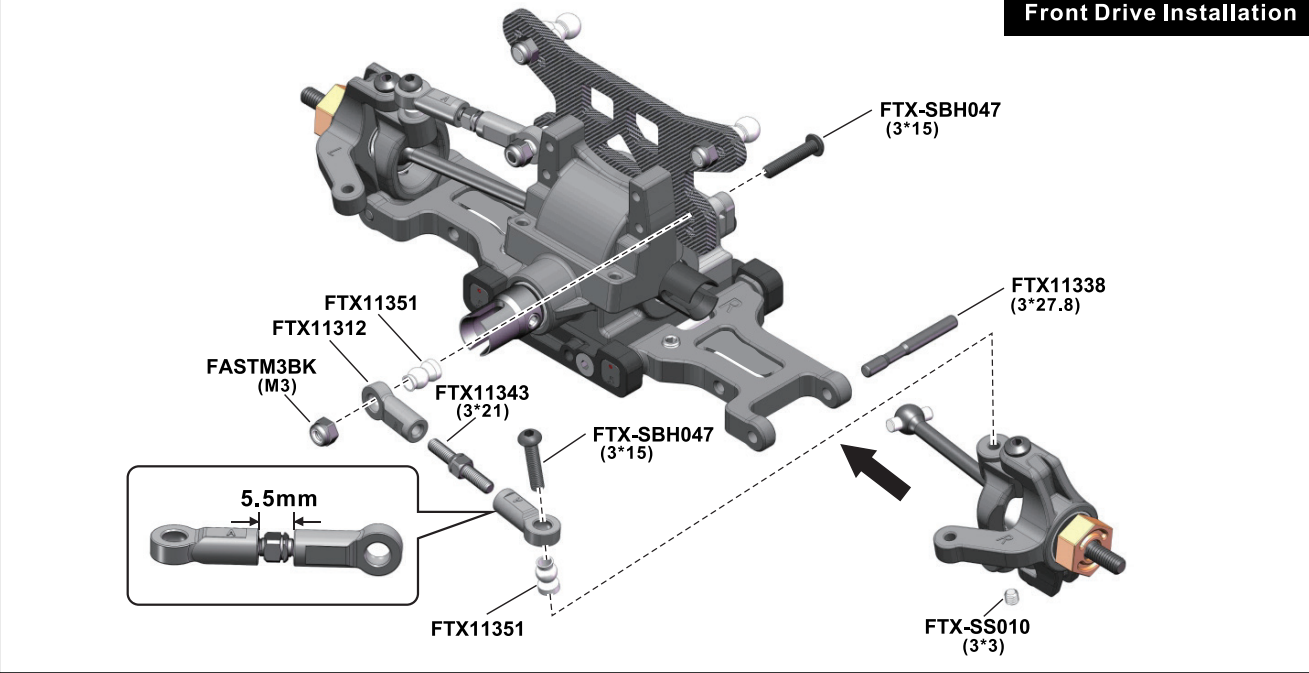




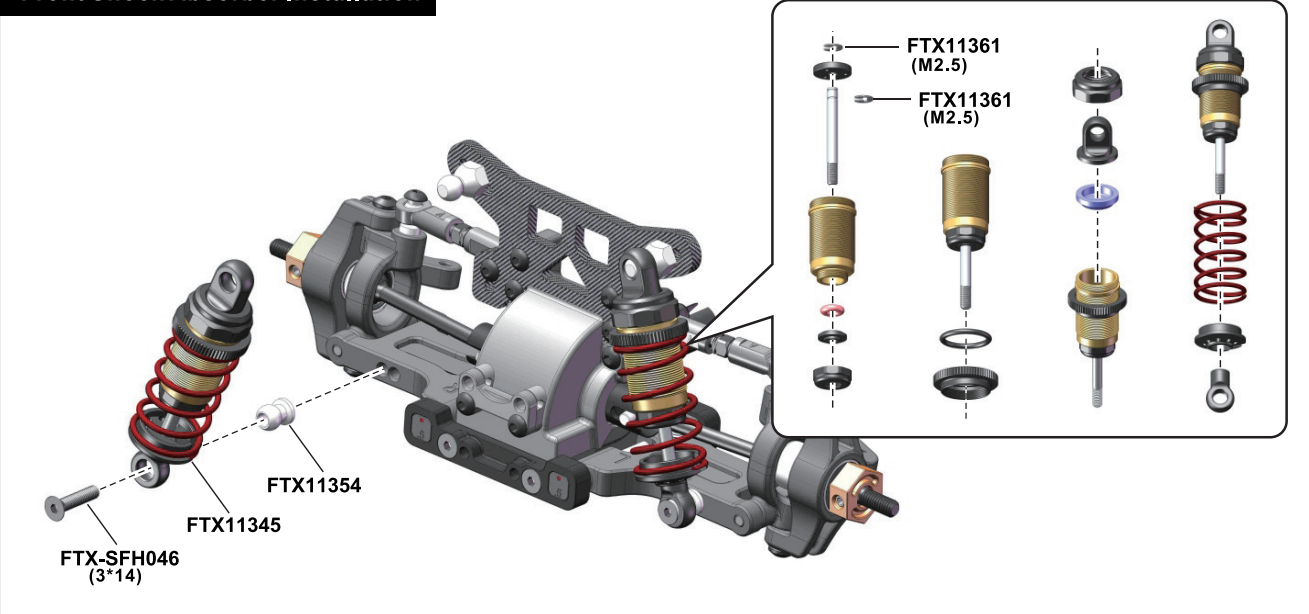
### Steering Mount/C Hub 10° Assembly-L/R



### Front Drive Installation

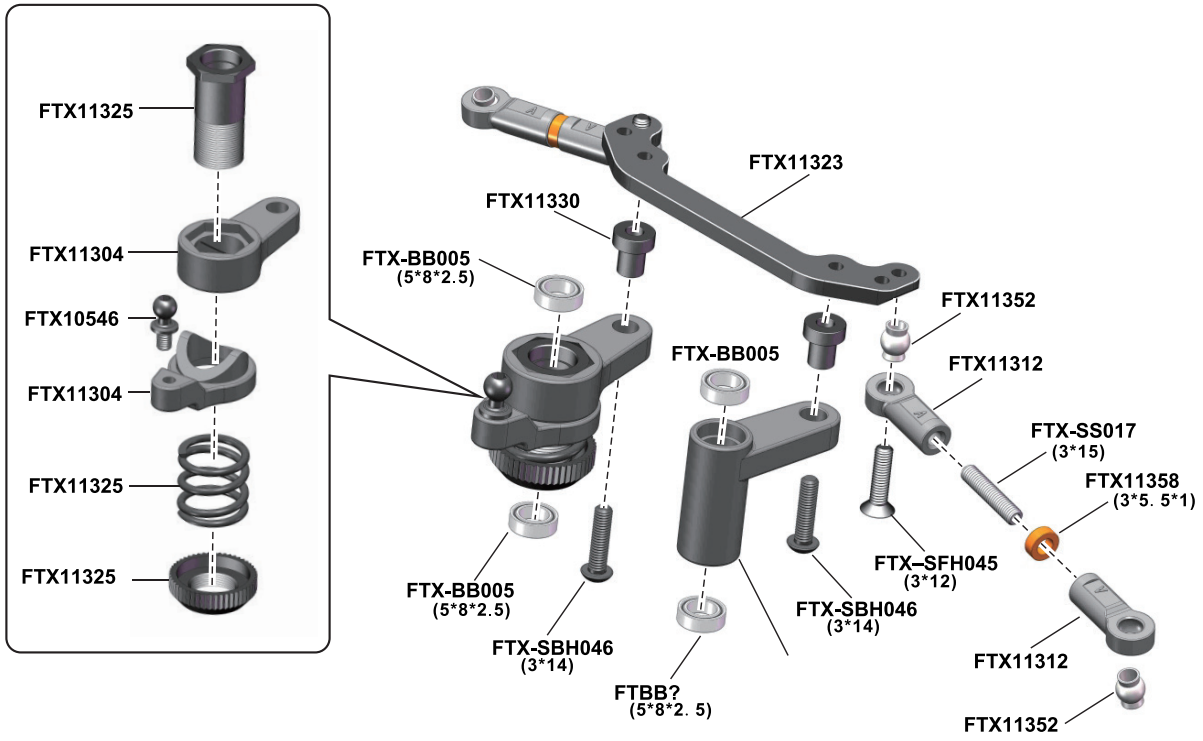


### Front Shock Absorber Installation

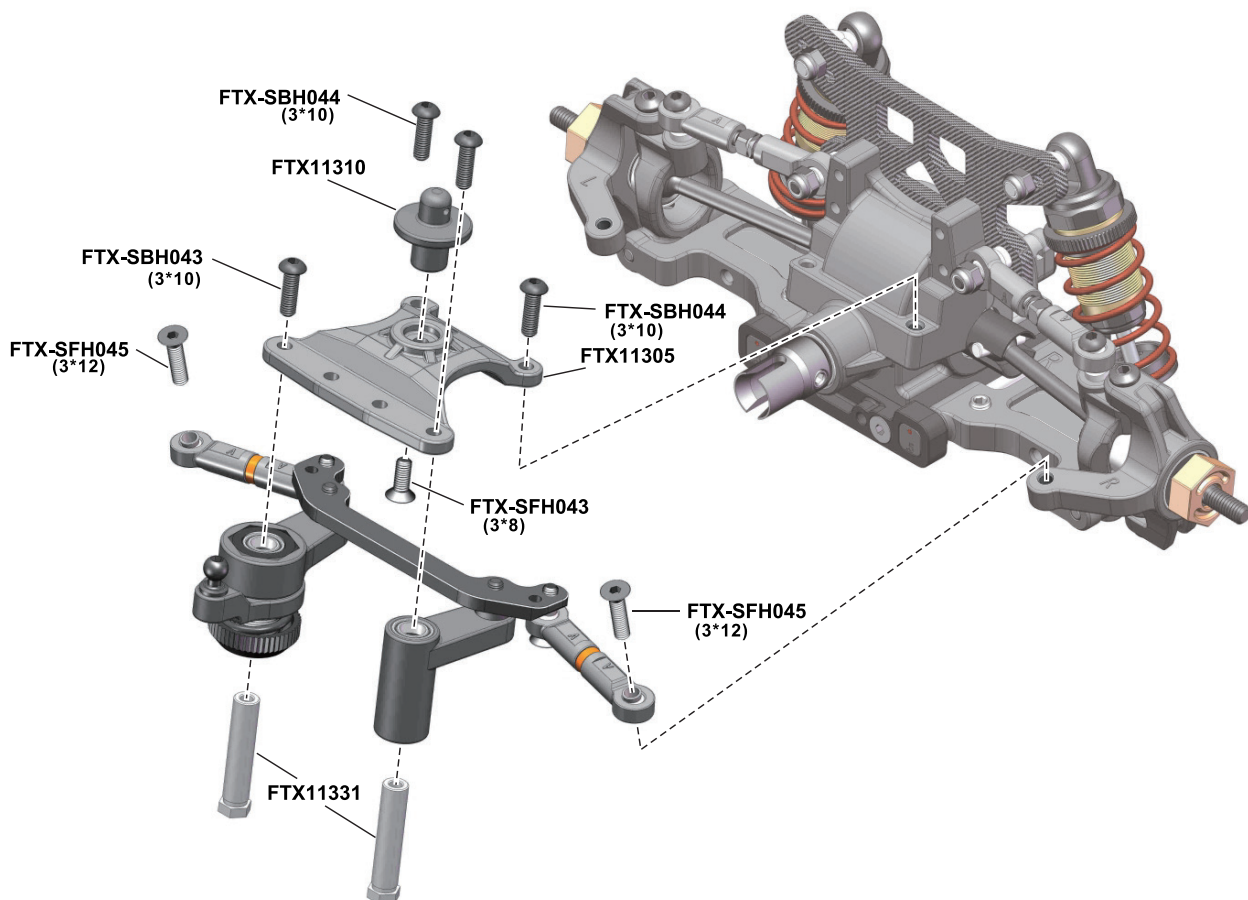




### Servo Saver Assembly



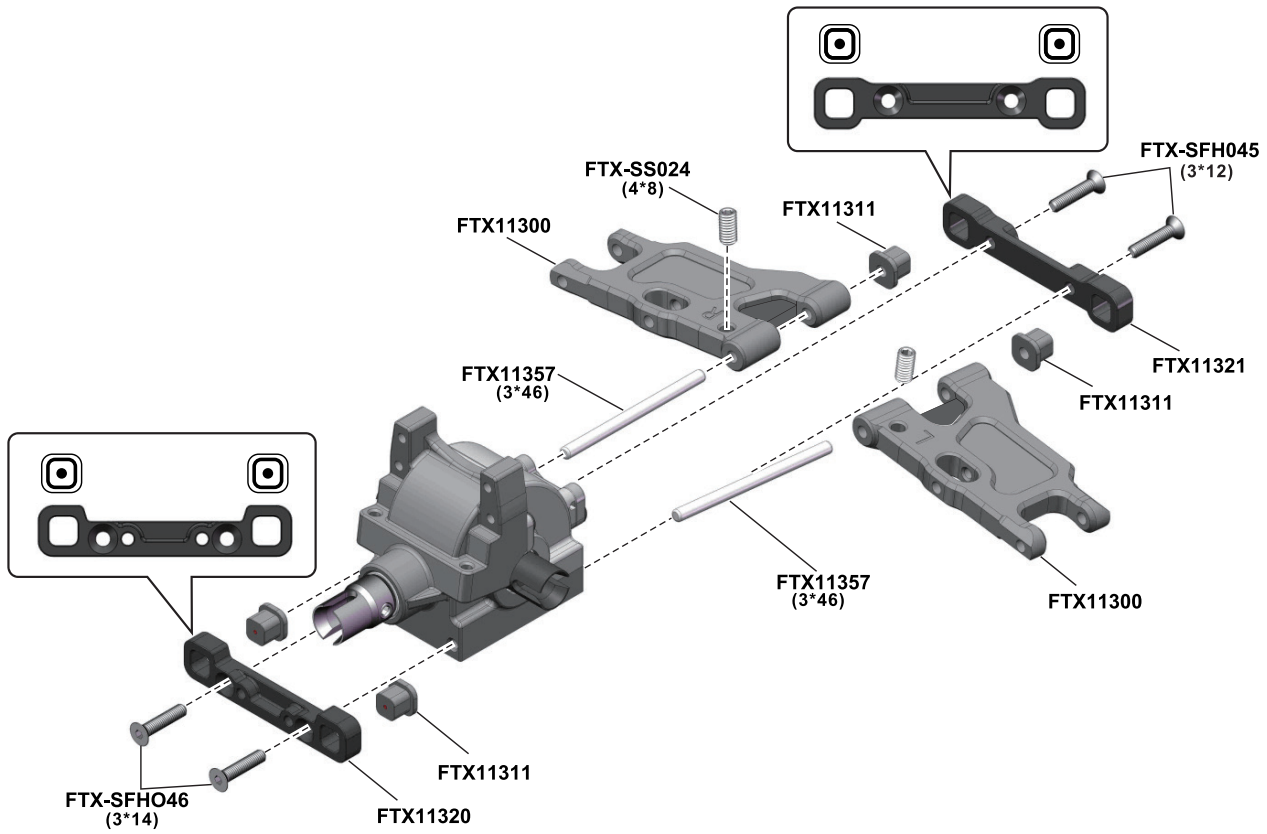
### Steering Linkage Assembly



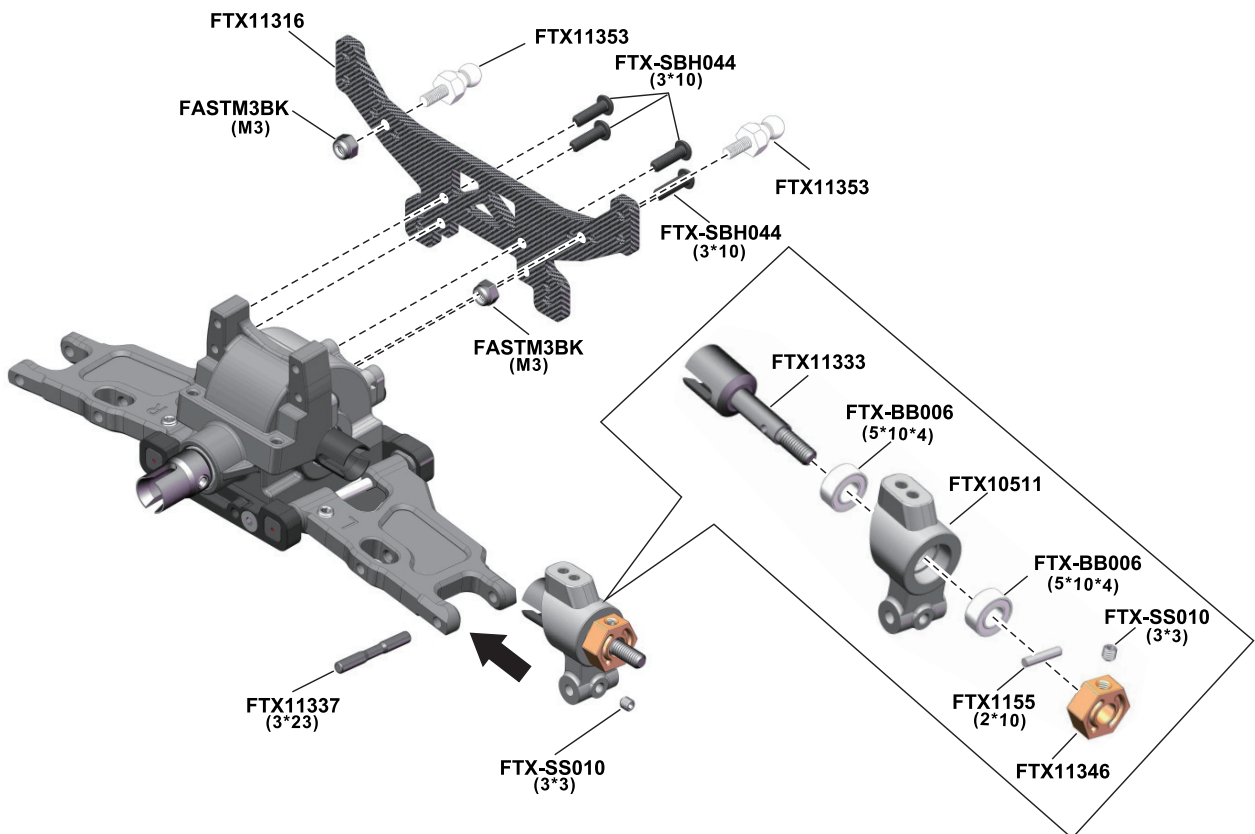




### Rear Suspension Assembly

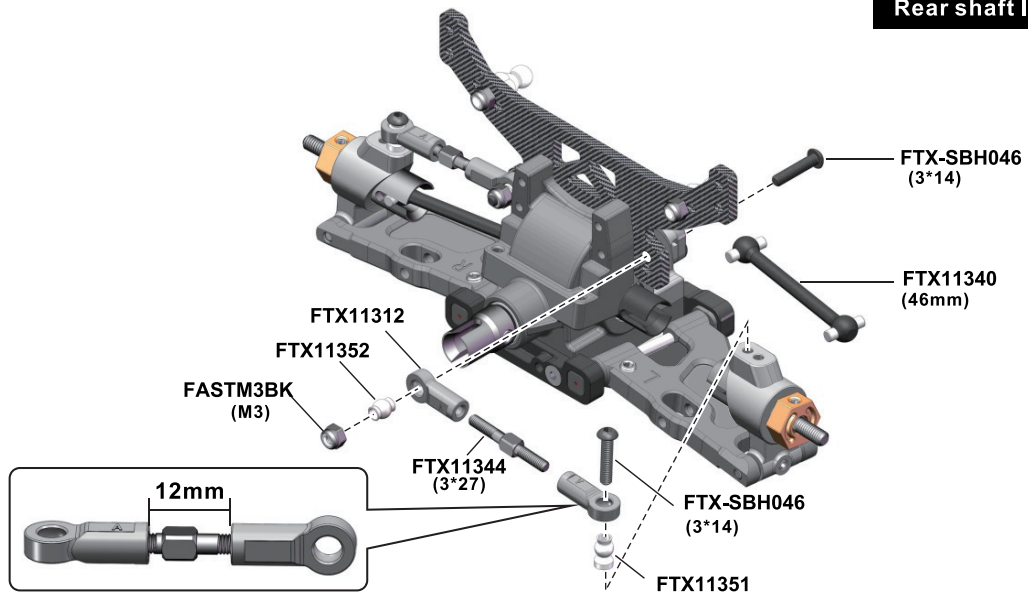


### Rear Shock Tower Assembly

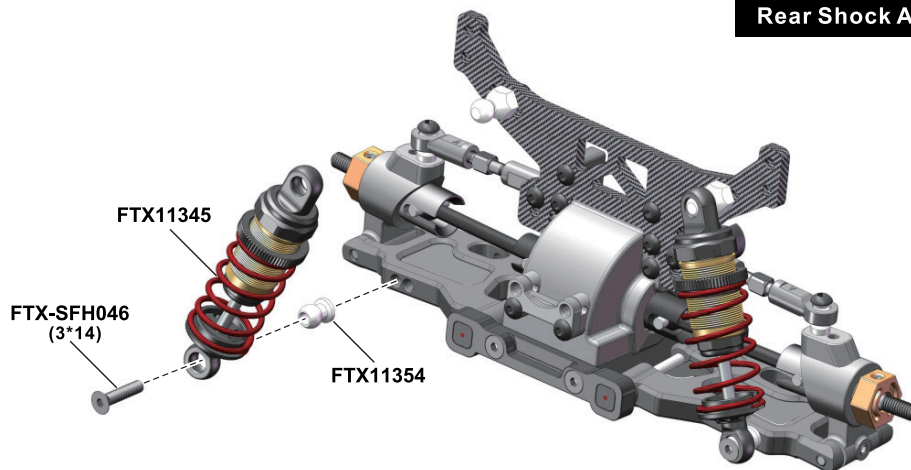




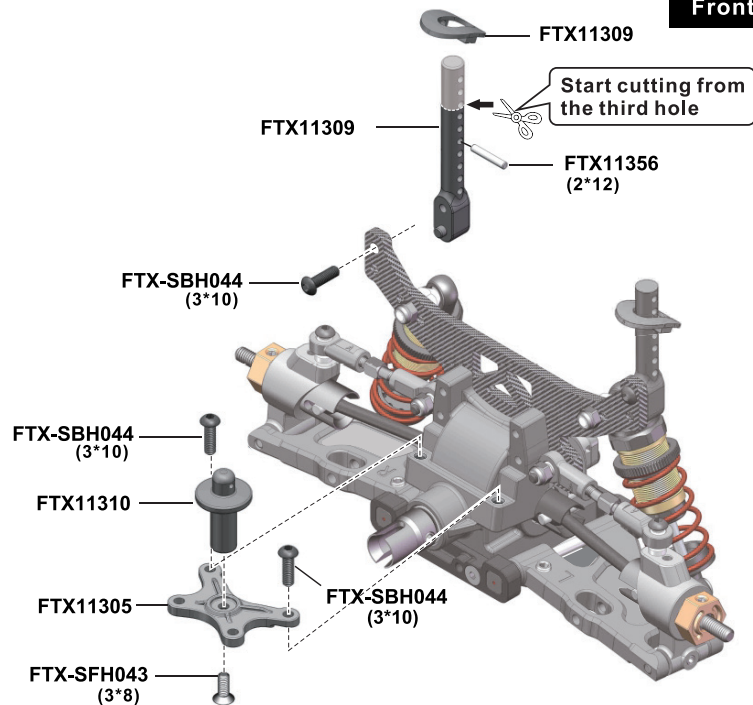
### Rear shaft Installation



### Rear Shock Absorber Installation

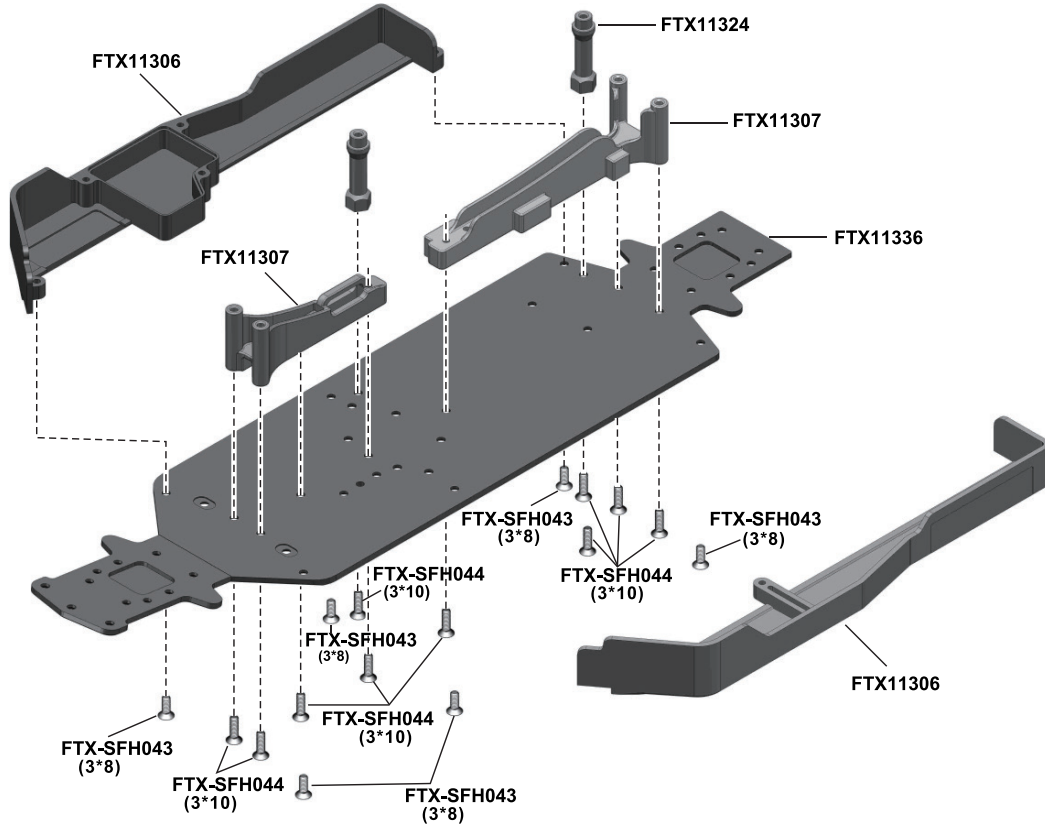


### Front triangle plate Installation

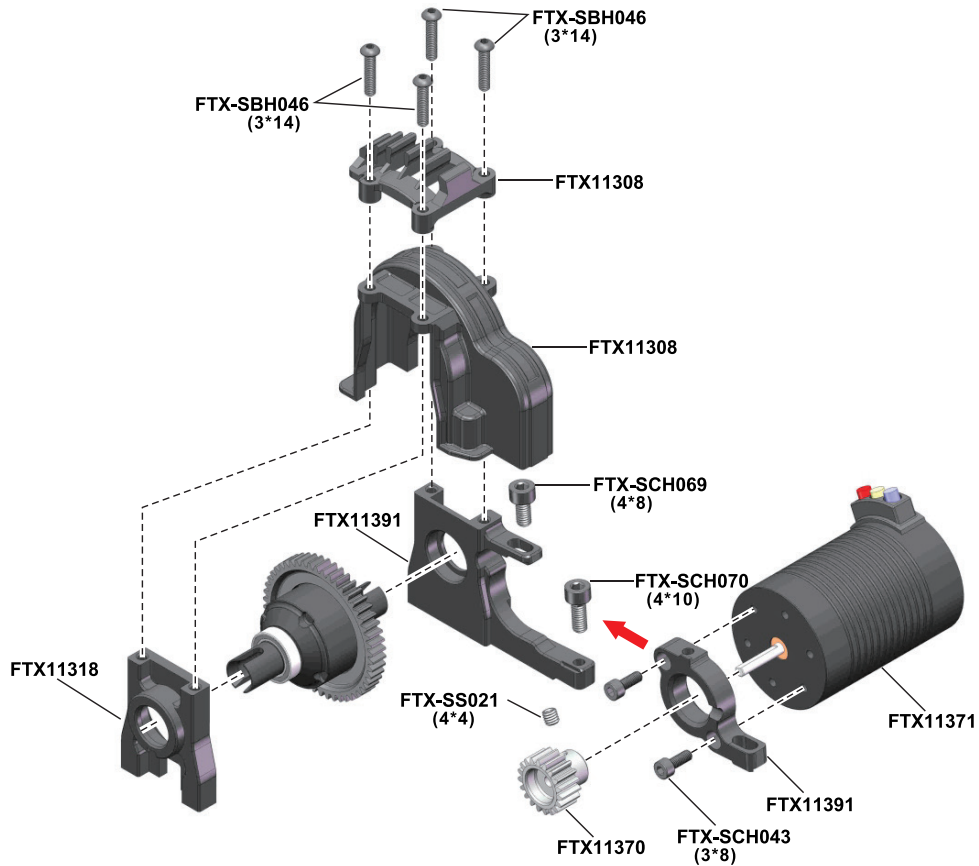




### Chassis/ Side Guard/ Chassis Brace Installation

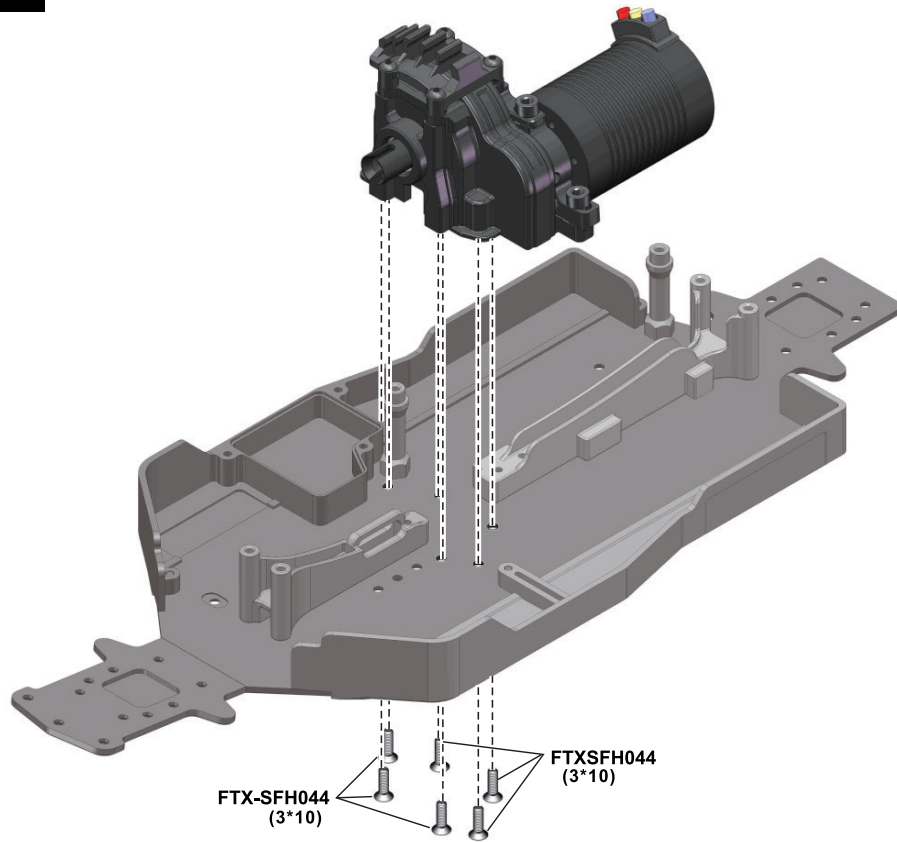


### Motor/ Gear Cover/ Motor Mount Assembly

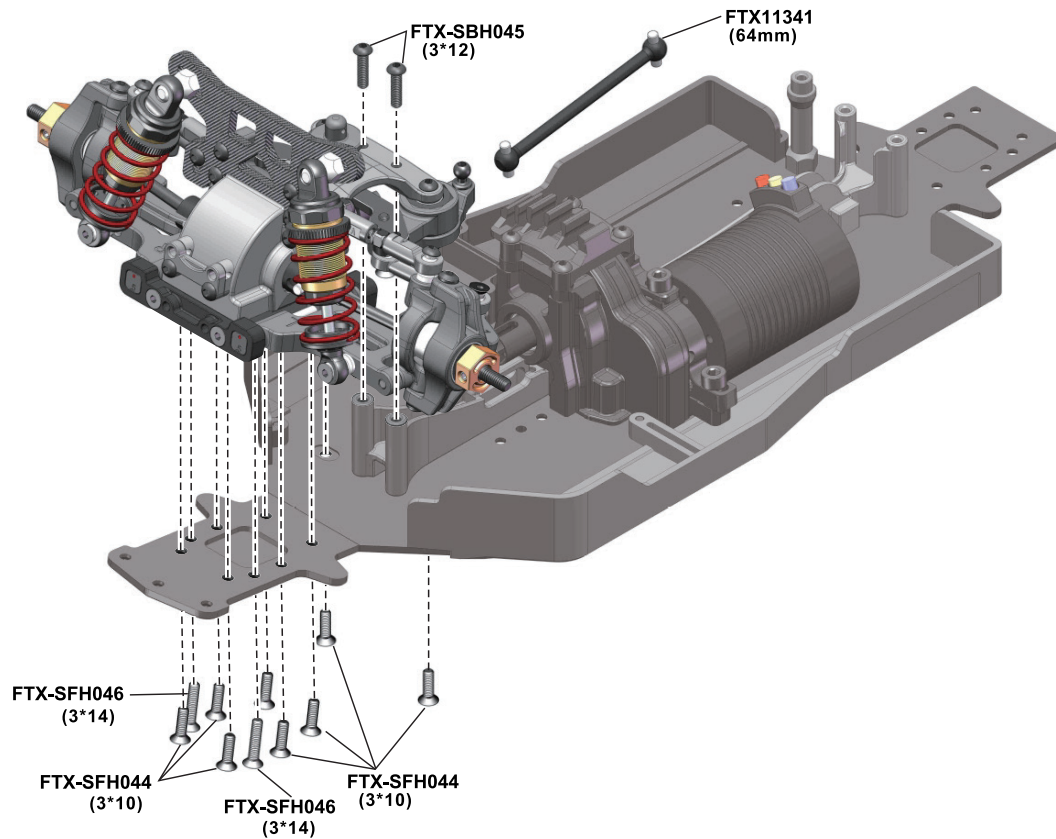




### Motor Installation

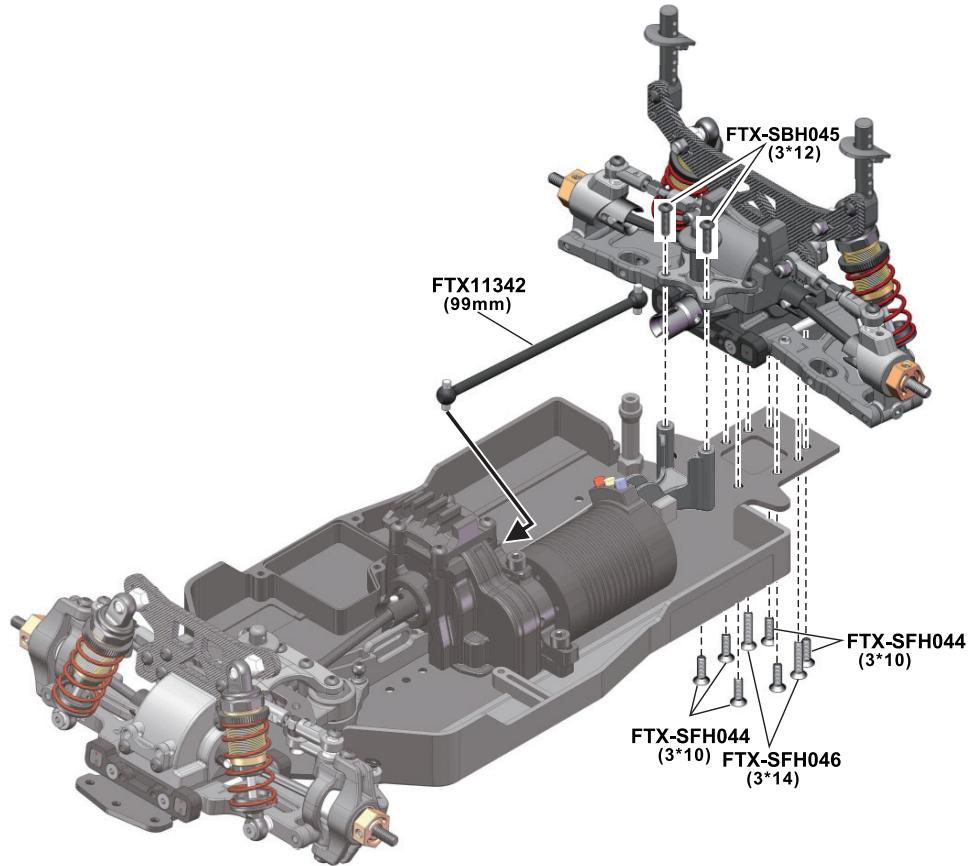


### Center Front shaft Installation

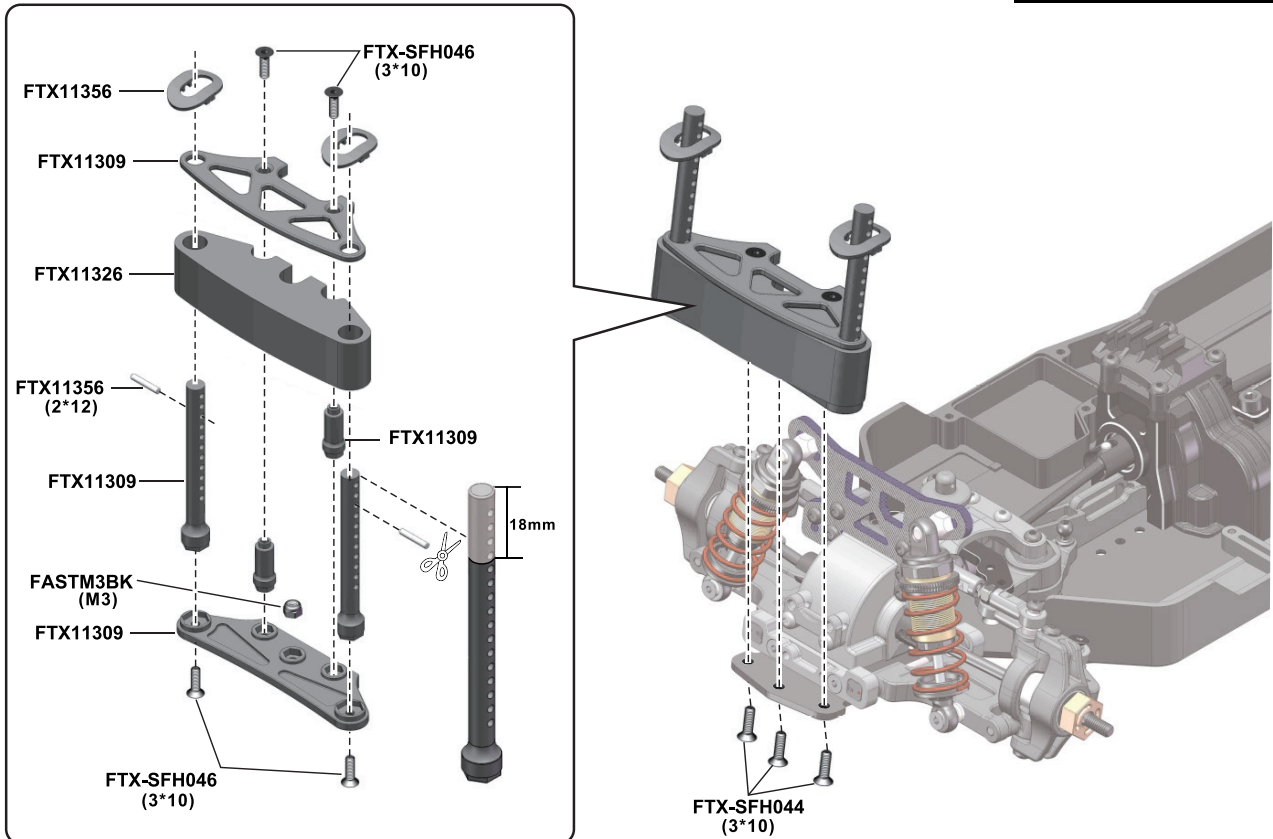




### Center Rear shaft Installation

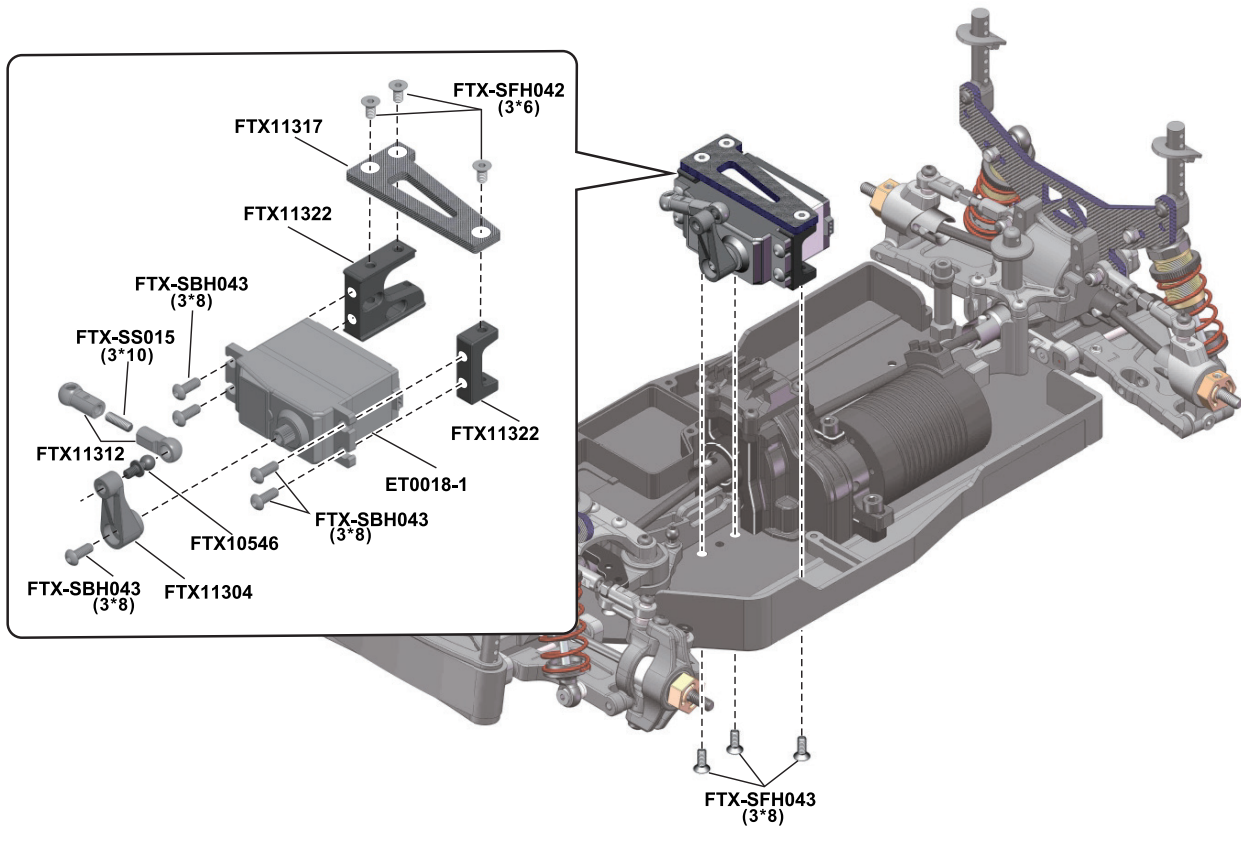


### Bumper Assembly

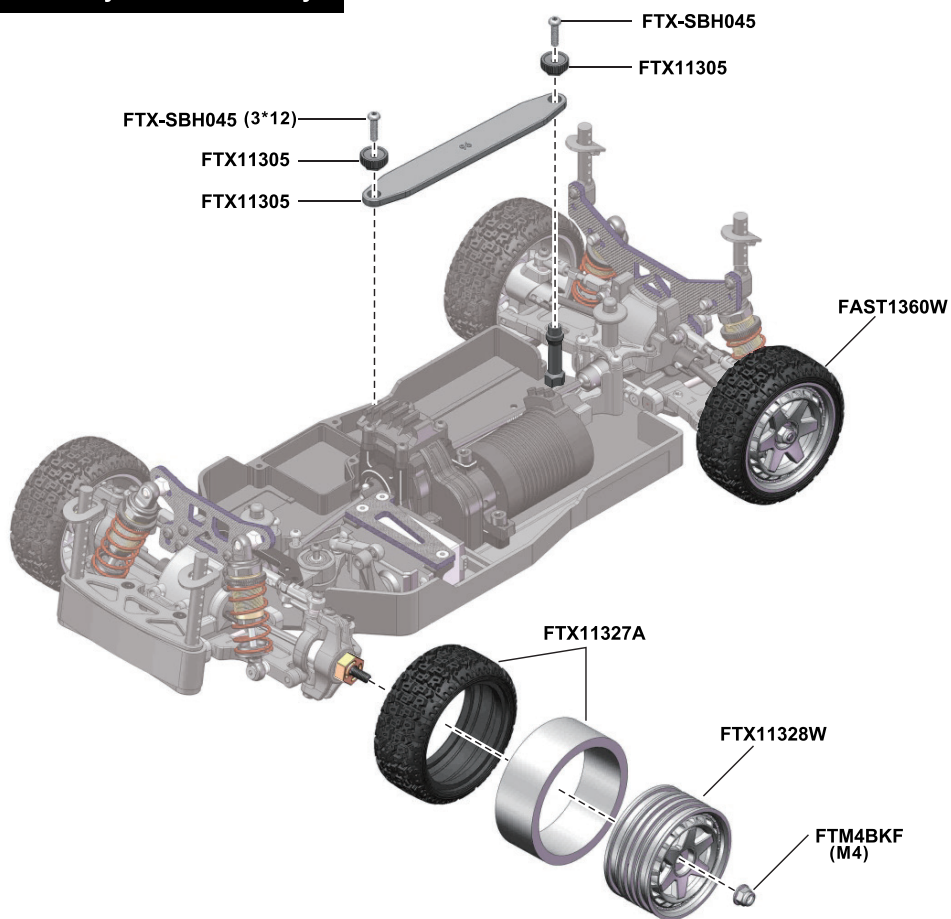




### Servo/Servo mount Assembly

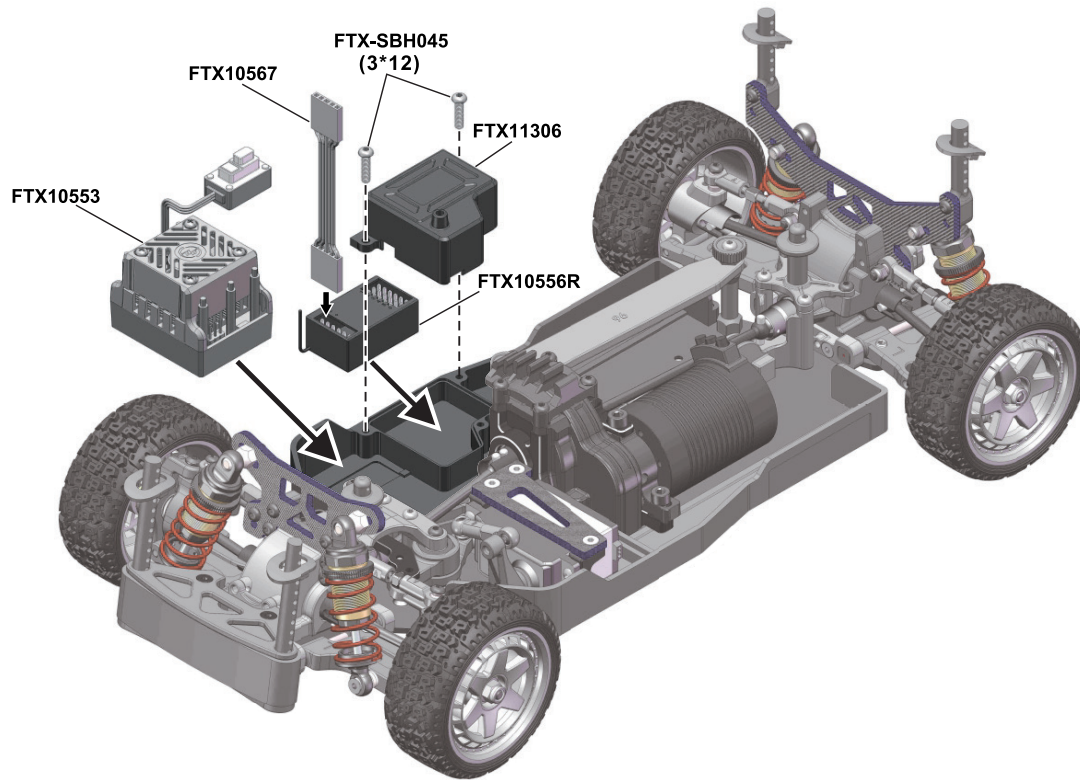


### Wheel Complete /Battery Cover Assembly

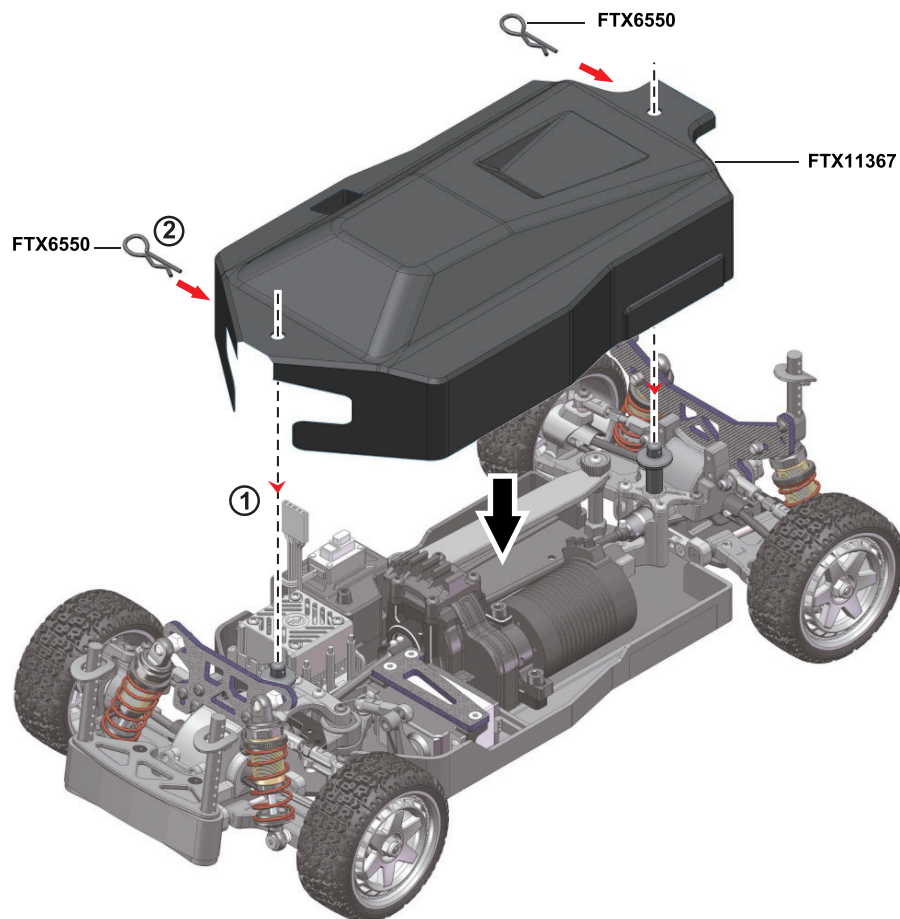




### ESC/Receiver Installation

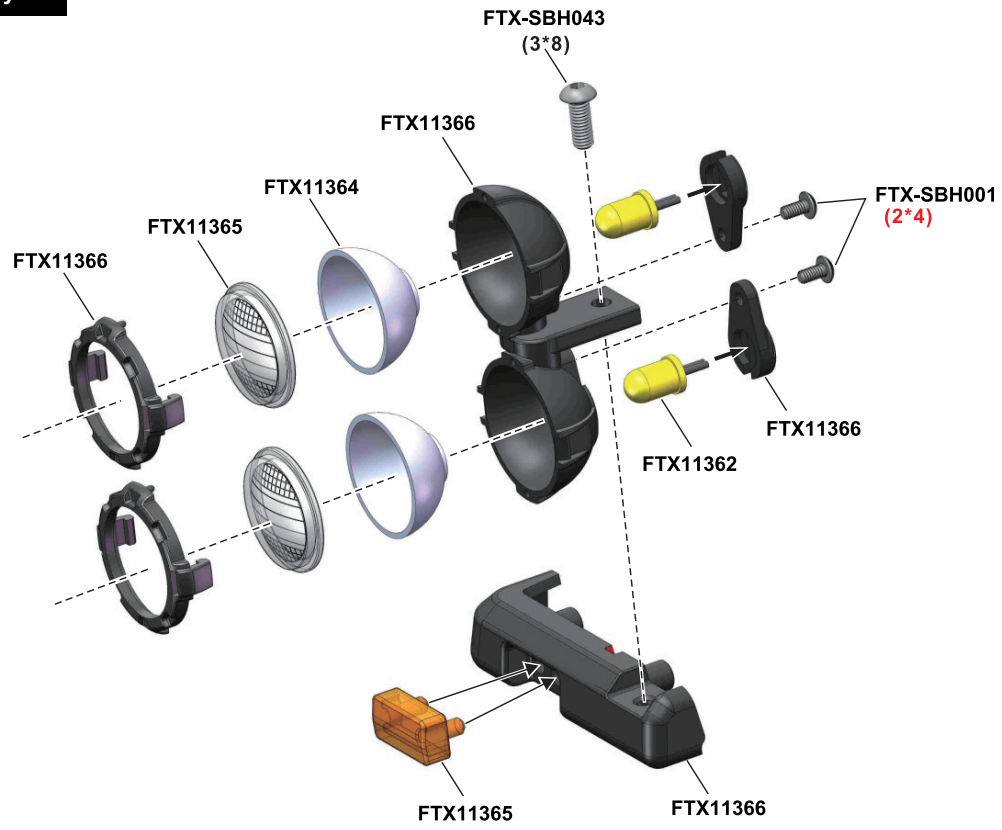


### Dustproof Cover Installation

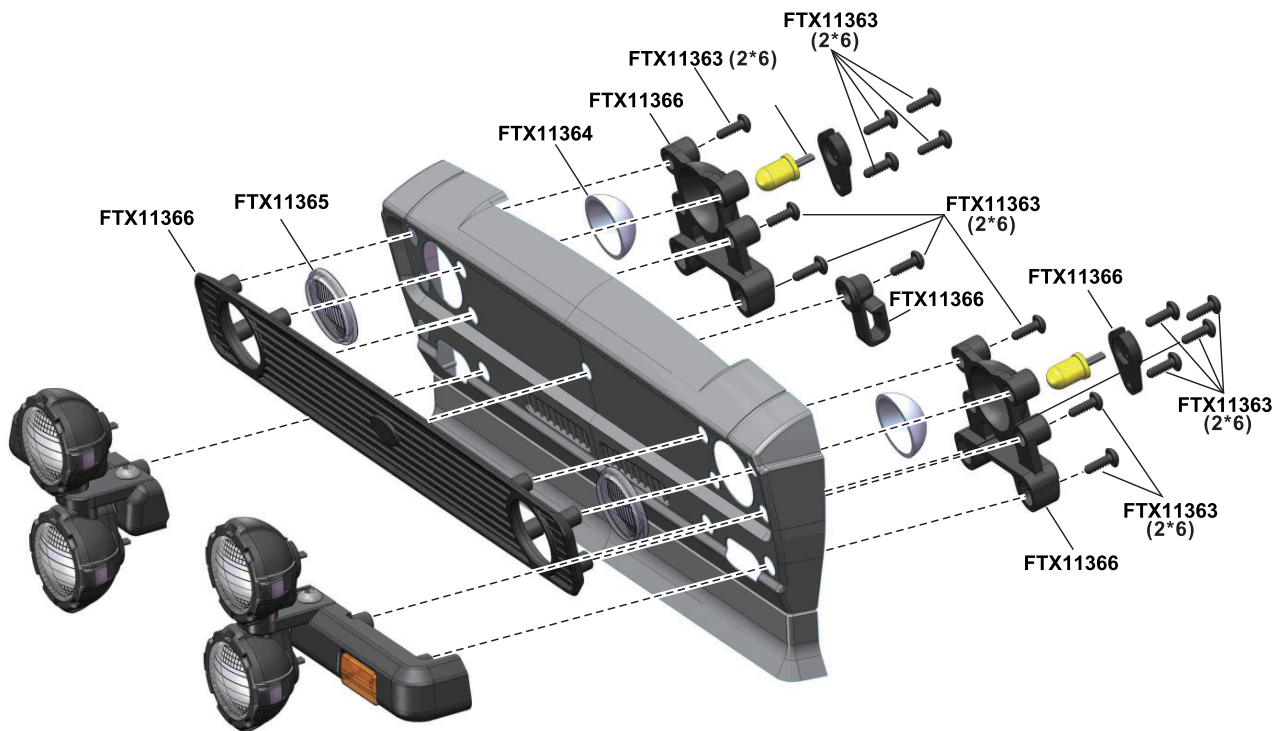




**Body Assembly-1**



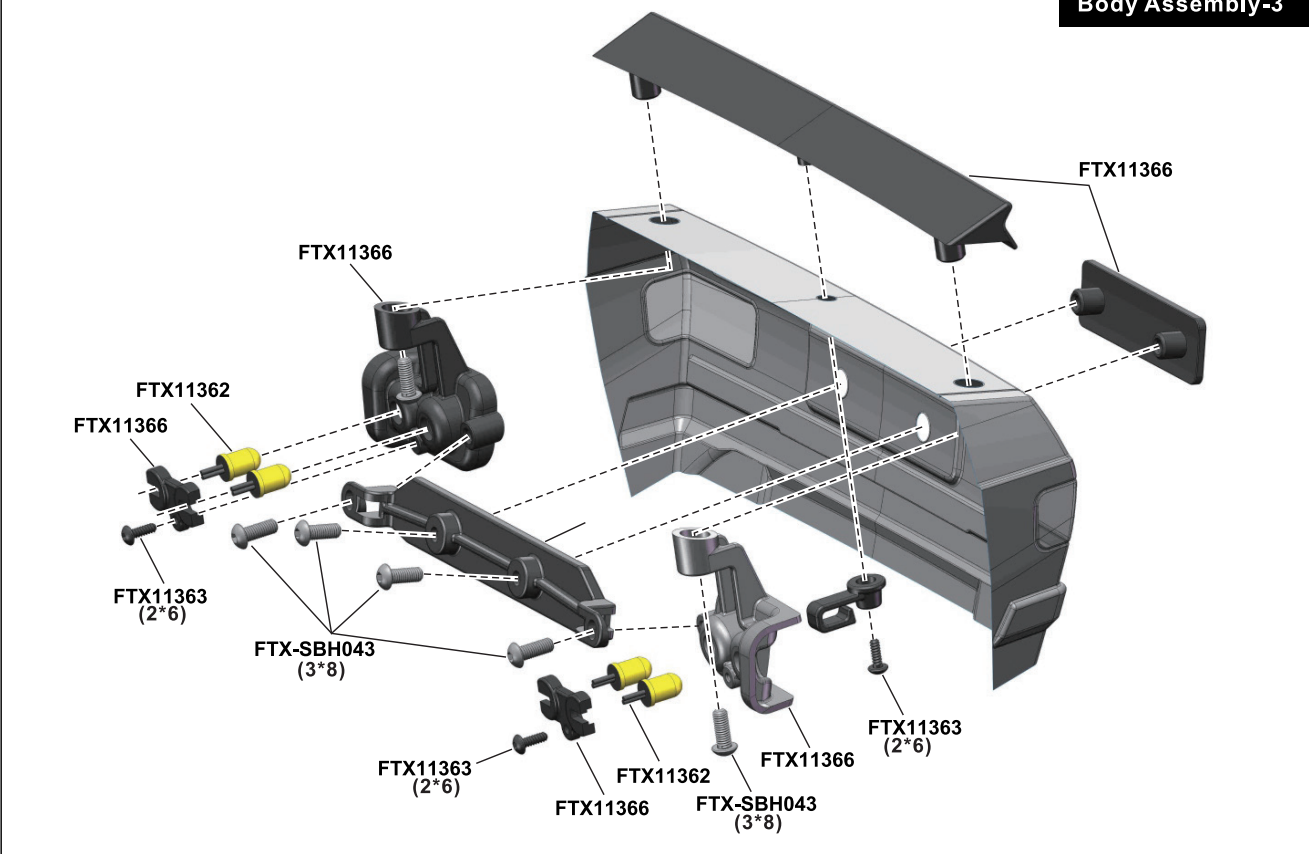
**Body Assembly-2**



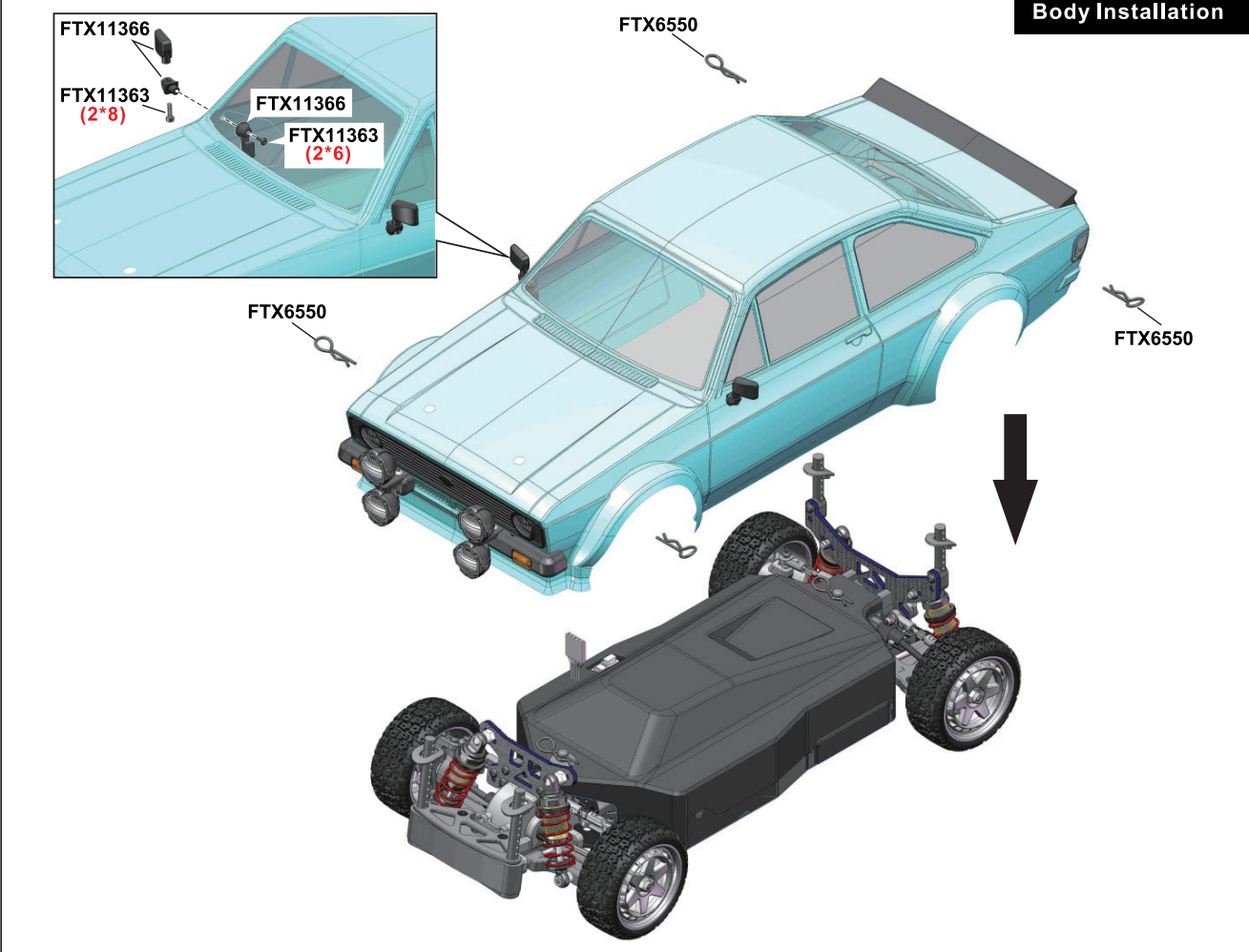




### Body Assembly-3



### Body Installation



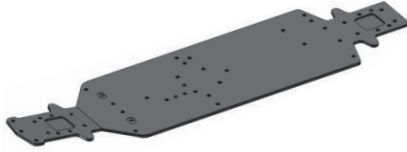


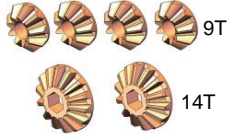

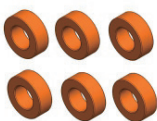
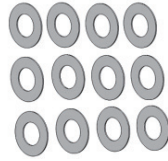
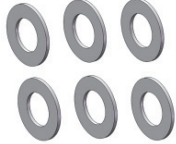
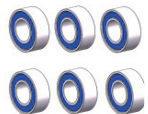

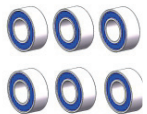




# PARTS LISTING

<p><b>FTX10511</b></p>  <p>Rear Axle Mount</p>	<p><b>FTX11300</b></p>  <p>Front /Rear Arm (L/R)</p>	<p><b>FTX11301</b></p>  <p>Steering Mount(L/R)</p>	<p><b>FTX11302</b></p>  <p>C Hub 10°(L/R)</p>	<p><b>FTX11303</b></p>  <p>Panhard Bar Cover</p>
<p><b>FTX11304</b></p>  <p>Servo Saver Set</p>	<p><b>FTX11305</b></p>  <p>F/R Triangle &amp; Battery Cap &amp; Battery Cover 96mm</p>	<p><b>FTX11306</b></p>  <p>Side Guard(L/R) &amp; Receiver Box</p>	<p><b>FTX11307</b></p>  <p>Chassis Brace (F/R)</p>	<p><b>FTX11308</b></p>  <p>Gear Cover</p>
<p><b>FTX11309</b></p>  <p>Front Bumper Set</p>	<p><b>FTX11310</b></p>  <p>Body Post Set</p>	<p><b>FTX11311</b></p>  <p>Sway Block</p>	<p><b>FTX11312</b></p>  <p>Ball End (A + B)</p>	<p><b>FTX11313</b></p>  <p>Gear Diff Case</p>
<p><b>FTX11314</b></p>  <p>Diff Main Gear 50T</p>	<p><b>FTX11315</b></p>  <p><b>(Graphite)</b> Front Shock Tower</p>	<p><b>FTX11316</b></p>  <p><b>(Graphite)</b> Rear Shock Tower</p>	<p><b>FTX11317</b></p>  <p><b>(Graphite)</b> Servo mount</p>	<p><b>FTX11318</b> (AL)</p>  <p>Motor Mount B</p>
<p><b>FTX11319</b> (AL)</p>  <p>Motor Mount</p>	<p><b>FTX11320</b> (AL)</p>  <p>Suspension Arm Mount</p>	<p><b>FTX11321</b> (AL)</p>  <p>Suspension Arm Mount</p>	<p><b>FTX11322</b> (AL)</p>  <p>Servo mount</p>	<p><b>FTX11323</b> (AL)</p>  <p>Steering Linkage</p>
<p><b>FTX11324</b> (AL)</p>  <p>Battery pillar</p>	<p><b>FTX11325</b> (AL)</p>  <p>Steering Saver Tube &amp; Spring Set (metal)</p>	<p><b>FTX11326</b></p>  <p>Bumper Foam</p>	<p><b>FTX11327A</b></p>  <p>Tire W / Foam</p>	<p><b>FTX11328W</b></p>  <p>Wheel Rim(White)</p>
<p><b>FAST1360W</b></p>  <p>Wheel Complete</p>	<p><b>FTX11330</b></p>  <p>Steering Rod Bushing</p>	<p><b>FTX11331</b></p>  <p>Steering Post</p>	<p><b>FTX11332</b></p>  <p>Driveshaft Cup Joint</p>	<p><b>FTX11333</b></p>  <p>Wheel axle</p>



<p><b>FTX11334</b></p>  <p>Driveshaft Cap Joint</p>	<p><b>FTX11335</b></p>  <p>Front CVD Set</p>	<p><b>FTX11336</b></p>  <p>Chassis-2.5mm(AL)</p>	<p><b>FTX11337</b></p>  <p>Pin-3*23mm</p>	
<p><b>FTX11328</b></p>  <p>Pin-3*27.8mm</p>	<p><b>FTX11339</b></p>  <p>Diff Shaft</p>	<p><b>FTX11340</b></p>  <p>Rear shaft 46mm</p>	<p><b>FTX11341</b></p>  <p>Center Front shaft 64mm</p>	<p><b>FTX11342</b></p>  <p>Center Rear shaft 99mm</p>
<p><b>FTX11343</b></p>  <p>Link 3*21mm</p>	<p><b>FTX11344</b></p>  <p>Link 3*27mm</p>	<p><b>FTX11345</b></p>  <p>Shock Absorber(AL)</p>	<p><b>FTX11346</b></p>  <p>Wheel Hex.(Steel)</p>	<p><b>FTX11347</b></p>  <p>Diff Main Gear(17T)</p>
<p><b>FTX11348</b></p>  <p>Diff Main Gear (42T)</p>	<p><b>FTX11349</b></p>  <p>Diff Planetary Gear</p>	<p><b>FTX11350</b></p>  <p>Diff Gasket</p>	<p><b>FTX11351</b></p>  <p>4.8*8mm Suspension Arm Ball</p>	<p><b>FTX11352</b></p>  <p>Linkage Pivot Ball</p>
<p><b>FTX11353</b></p>  <p>Ball Head Screw 5.8*18mm</p>	<p><b>FTX11354</b></p>  <p>Ball Head A</p>	<p><b>FTX11355</b></p>  <p>Pin-2*10mm</p>	<p><b>FTX11356</b></p>  <p>Pin-2*12mm</p>	<p><b>FTX11357</b></p>  <p>Pin-3*46mm</p>
<p><b>FTX11358</b></p>  <p>Aluminum Washer(3*5.5*1)</p>	<p><b>FTX11359</b></p>  <p>Metal Washer(4. 2*8*0. 2)</p>	<p><b>FTX11360</b></p>  <p>Metal Washer(5*9*0. 5)</p>	<p><b>FTX11580</b></p>  <p>E-Clips(Ø4.0mm)</p>	<p><b>FTX11361</b></p>  <p>E-Clips(Ø2.5mm)</p>
<p><b>FTX11362</b></p>  <p>Diff O-Ring(5*2mm)</p>	<p><b>FTX-BB005</b></p>  <p>Ball Bearing Ø5*Ø8*2.5</p>	<p><b>FTX-BB006</b></p>  <p>Ball Bearing Ø5*Ø10*4</p>	<p><b>FTX-BB003</b></p>  <p>Ball Bearing Ø5*Ø11*4</p>	<p><b>FTX-BB004</b></p>  <p>Ball Bearing Ø5*Ø13*4</p>



FTX-BB001



Ball Bearing Ø10\*Ø15\*4

FASTM3BK



Nylon Nut M3

FASTM4BKF



Flange Nut M4

FTX10564



Ball Head Screw Ø4.8\*5

FTX10581



Step Screws 3.5\*10

2.0

FTX-SS010



Grub Hex Screw 3\*3mm

1.5

FTX-SS021



Grub Hex Screw 4\*4mm

2.0

FTX-SS024



Grub Hex Screw 4\*8mm

2.0

FTX-SS015



Grub Hex Screw 3\*10mm

1.5

FTX-SS017



Grub Hex Screw 3\*15mm

1.5

FTX-SBH001



Button Head 2\*4mm

1.5

FTX11363



Button Head Self-tapping  
2\*6mm (Nickel)

1.5

FTX-SBH042



Button Head 3\*6mm

2.0

FTX-SBH043



Button Head 3\*8mm

2.0

FTX-SBH044



Button Head 3\*10mm

2.0

FTX-SBH045



Button Head 3\*12mm

2.0

FTX-SBH046



Button Head 3\*14mm

2.0

FTX-SBH047



Button Head 3\*15mm

2.0

FTX-SFH004



Flat Head 2\*8mm

1.5

FTX-SFH005



Flat Head 2\*10mm

1.5

FTX-SFH071



Flat Head 3\*6mm

2.0

FTX-SFH043



Flat Head 3\*8mm

2.0

FTX-SFH044



Flat Head 3\*10mm

2.0

FTX-SFH045



Flat Head 3\*12mm

2.0

FTX-SFH046



Flat Head 3\*14mm

2.0

FTX-SCH004



Column Head 2\*8mm

2.5

FTX-SCH043



Column Head 3\*8mm

2.5

FTX-SCH069



Column Head 4\*8mm

3.0

FTX-SCH070



Column Head 4\*10mm

3.0

FTX11370



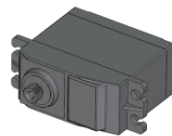
Motor Gear(19T-32P)(AL)

FTX11371



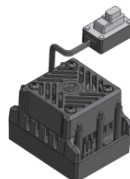
Brushless Motor 3652/4000kv

ET0018-1



Servo-9KG(Metal Gears)

FTX10553



ESC Brushless-60A

FTX10556R



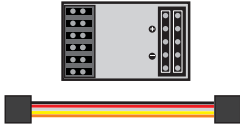




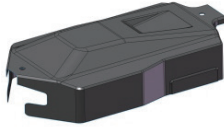
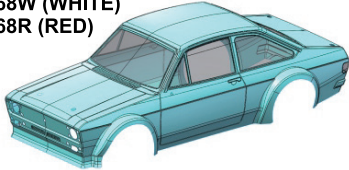
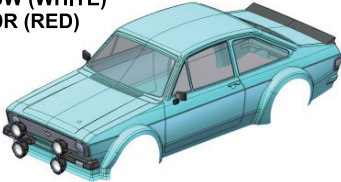

Receiver

FTX10556



Radio/Receiver



<p><b>FTX10567</b></p>  <p>Light Control Box</p>	<p><b>FTX11372</b></p>  <p>Light Set</p>	<p><b>FTX11373</b></p> <ul style="list-style-type: none"> <li>"+" 85*15MM</li> <li>"+" 85*15MM</li> <li>"-" 85*10MM</li> <li>"-" 85*10MM</li> </ul> <p>Velcro</p>	<p><b>FTX11364</b></p>  <p>Lamp-Chimney</p>	<p><b>FTX11365</b></p>  <p>Lamp-Socket</p>
<p><b>FTX11366</b></p>  <p>Intake plate set &amp; Wing Fasten Set &amp; Rearview Mirror Set</p>		<p><b>FTX11367</b></p>  <p>Dustproof Cover</p>	<p><b>FTX11368C (CLEAR)</b>  <b>FTX11368W (WHITE)</b>  <b>FTX11368R (RED)</b></p>  <p>PC Body/Stickers</p>	
<p><b>FTX11369W (WHITE)</b>  <b>FTX11369R (RED)</b></p>  <p>PC Body(Assembled)</p>	<p><b>FTX6550</b></p>  <p>Body Clip Ø1.2mm</p>			

### Upgradable Optionals

<p><b>FTX11380</b> (AL.)</p>  <p>Rear Axle Mount(Black)</p>	<p><b>FTX11381</b> (AL.)</p>  <p>Steering Mount(L/R)</p>	<p><b>FTX11382</b> (AL.)</p>  <p>C Hub 10°(L/R)</p>	<p><b>FTX11383</b></p>  <p>Sway Bar+Links</p>	
<p><b>FTX11384</b></p>  <p>Spring steel central drive shaft(F)</p>	<p><b>FTX11385</b></p>  <p>Spring steel central drive shaft(R)</p>	<p><b>FTX11386</b></p>  <p>spring steel universal drive shafts</p>	<p><b>FTX11387</b></p>  <p>Spring Steel Diff Outdrive</p>	<p><b>FTX11327B</b></p>  <p>Tyre W / Foam</p>
<p><b>FAST1361W</b></p>  <p>Wheel Complete</p>				



**NOTES:**

A large rectangular area containing 25 horizontal dotted lines, intended for handwritten notes.





# MK2RS



[www.ftx-rc.com](http://www.ftx-rc.com)



FTX is an exclusive brand of CML Distribution, Saxon House, Saxon Business Park,  
Hanbury Road, Bromsgrove, Worcestershire, B60 4AD England.  
E-mail: [info@ftx-rc.com](mailto:info@ftx-rc.com)